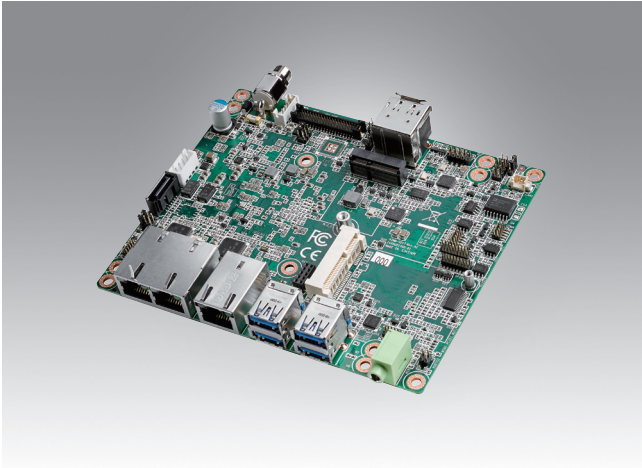


AIMB-U217

Intel® Atom™ E3950/E3940 QC 1.6 GHz UTX Industrial Motherboard with HDMI/eDP (LVDS)/DP++, 4 COMs and 3 LANs



Windows 10

RoHS COMPLIANT PRODUCT CE FCC

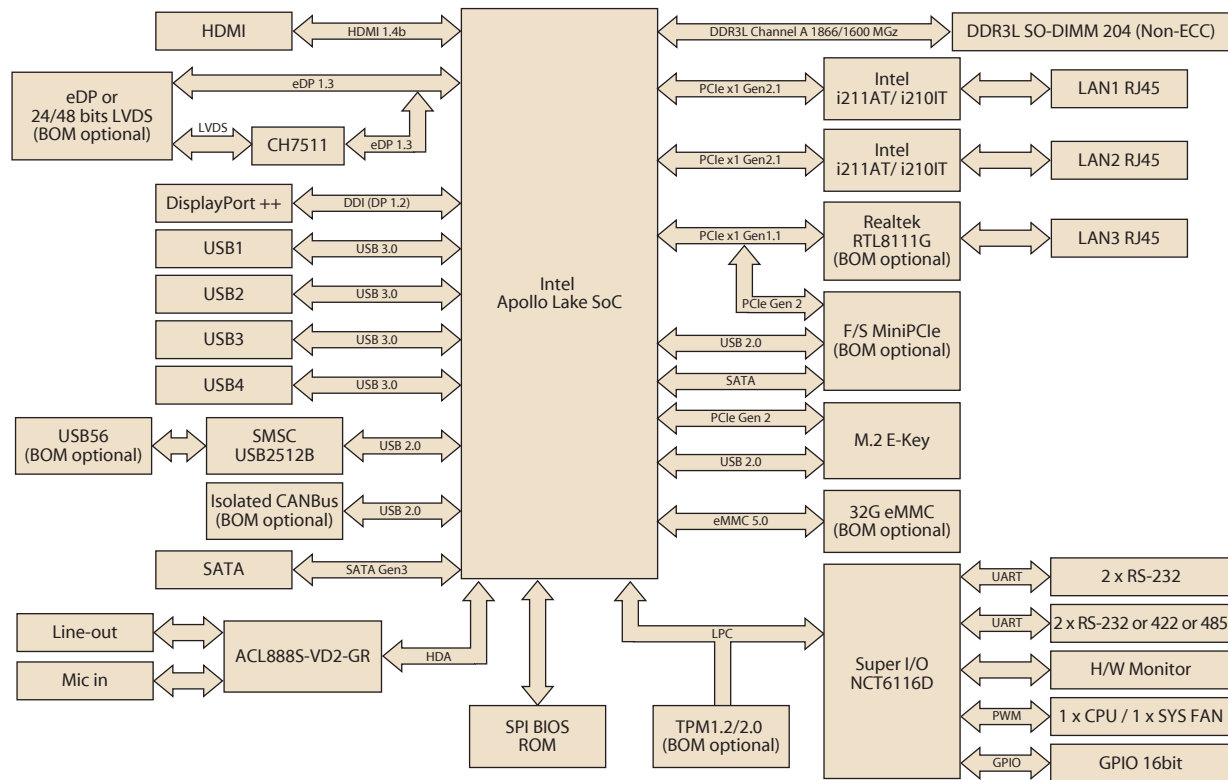
Features

- Supports Intel® Atom™ Qual core E3950/E3940 1.6 GHz processor
- Single 204-pin SO-DIMM up to 8 GB DDR3L 1866 MHz SDRAM
- Supports HDMI/DP++, eDP (co-lay dual-channel 48-bit LVDS)
- Supports 1 Mini-PCIE expansion slot, M.2 E-Key slot, 4 COMs (2 RS-232, 2 RS-232 or 422 or 485), 4 USB 3.0, 3 LANs
- Supports CANBus
- Supports eMMC 32GB on board
- Supports wide DC in 12V to 24V
- Supports wide temperature and cooler/fanless solution

Specifications

Processor System	CPU (14nm)	Intel Atom E3950/ E3940
	Max. Speed	1.6 GHz (Qual Core)
	L2 Cache	2 MB
	BIOS	AMI 16 Mbit SPI
Expansion Slot	Mini-PCle	BOM Optional (PCle co-lay with LAN3)
	M.2	E-Key
Memory	Technology	Singl channel DDR3L 1866MHz SDRAM
	Max. Capacity	8GB
	Socket	1 x 204-pin SO-DIMM (Non-ECC)
Graphics	Controller	Intel Gen 9 Graphics Engines and media encode/decode engine; Graphics Base Frequency: 500 MHz
	HDMI	1, Supports HDMI1.4b up to 3840 x 2160 @ 30Hz
	eDP	1, Supports eDP1.3, max resolution up to 3840 x 2160@60 Hz, Co-lay with LVDS
	LVDS	1, Supports 24-bit dual channel and up to 1920 x 1200, Co-lay with eDP (BOM Optional)
	Displayport	1, Supports DP++ 1.2, max resolution up to 4096 x 2160 @ 60Hz
Ethernet	Interface	10/100/1000 Mbps
	Controller	LAN1/2: Intel i211AT (Co-lay with Intel i210IT) LAN3: Realtek 8111G (BOM optional, Co-lay with Mini-PCle)
	Connector	3, RJ45 (LAN3 is BOM optional)
SATA	Max Data Transfer Rate	600 MB/s (SATA 3.0)
	Channel	1
Rear I/O	HDMI	1
	Displayport	1
	Ethernet	3 (LAN3 is BOM optional)
	USB	4 x USB3.0
	Audio	1 (Line-out)
	DC jack	1 (2.5mm)
Internal Connector	LVDS & Inverter	1/1
	Serial	2, RS-232 2, RS-232 or RS-422 or RS-485 (BOM optional)
	SATA	1, (SATA 3.0) SATA PWR connector
	USB	2, USB2.0 connector (BOM Optional)
	Watchdog Timer	Output
Power	Interval	Programmable 1 ~ 255 sec/min
	Single voltage 1	12V ~ 24V DC input; 1 x External DC jack
	Typical Power Consumption	TBC
Environment	Operating	Non-Operating
		-20 ~ 70 °C (-4 ~ 158 °F) -40 ~ 85 °C (-40 ~ 185 °F)
Physical Characteristics	Dimensions	112 x 137 mm (4.4" x 5.3")

Block Diagram



Ordering Information

P/N	CPU	Memory Slot	HDMI	eDP/ LVDS	DP++	GbE LAN1/2/3	SATAIII	32G eMMC	USB 3.0	USB 2.0	MiniPCIe	M.2	RS232	RS232/422/485	TPM 2.0/1.2	CANBus	Audio
AIMB-U217DZ-S6A1E	E3950	1	1	1/(1)	1	1/1/(1)	1	(1)	4	(2)	(1)	1	2	(2)/1/1	(1)/(1)	(1)	1
AIMB-U217EZ-S6A1E	E3940	1	1	1/(1)	1	1/1/(1)	1	(1)	4	(2)	(1)	1	2	(2)/1/1	(1)/(1)	(1)	1

*() BOM options available on MP version.

Packing List

Description	Quantity
SATA HDD cable	1
SATA power cable	1
Serial port cable	2
Startup manual	1
CPU Cooler	1

Optional Accessories

Description	Quantity
CANBus cable	1
Heatspreader	1
Semi-Heatsink	1
Heatsink	1

I/O View

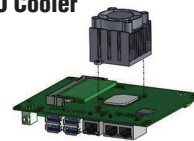


Embedded OS/API

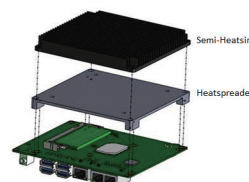
OS/API	Part No.	Description
Win 10	TBD	

Thermal Solution

CPU Cooler



Heatspreader + Semi-Heatsink



Heatsink

