

DLT-V4108

Vehicle-Mounted Terminal with Integrated Keyboard



Features

- Intel® Atom™ E3826 dual-core, 1.46 GHz, processor
- 8" widescreen color TFT display with high brightness (750 nits)
- Rugged, IP65-rated design with 5M3 certification and integrated keyboard
- LTE, GPS, Wi-Fi®, and Bluetooth® capabilities
- Integrated uninterruptible power supply (supports up to 15 minutes operation)
- Wide operating temperature range (-30 ~ 50 °C/-22 ~ 122 °F) to withstand extreme environments

Introduction

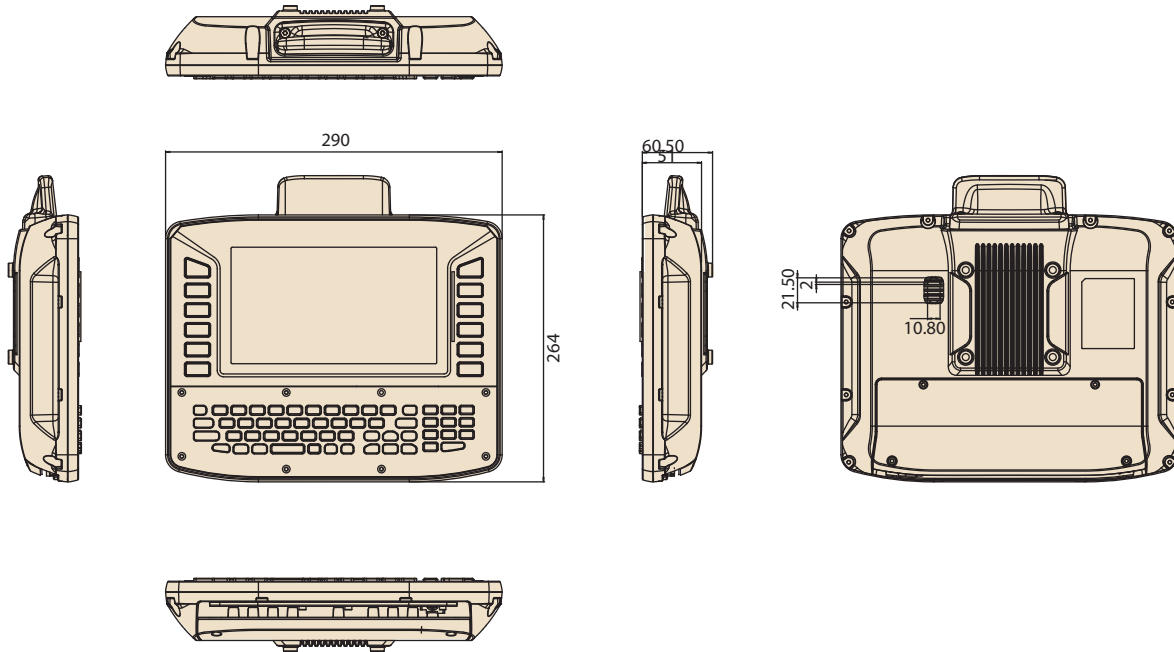
DLT-V4108 is a rugged vehicle-mounted terminal with integrated keyboard; designed to provide maximum service life for logistics applications. With its 5M3 certification and IP65 rating for protection from water and dust ingress, and support for a wide operating temperature range (-30 ~ 50 °C/-22 ~ 122 °F), DLT-V4108 can withstand operation in extreme industrial environments. The terminal's slim and compact form factor make it suitable for installation in limited spaces, such as narrow vehicle cabins. Furthermore, the integrated ergonomic keyboard (which can be rapidly replaced onsite for easy maintenance) combined with the 8" touchscreen with projected capacitive touch control (which also supports gloved operation) ensure convenient data input and rapid real-time data collection. Finally, the inclusion of Wi-Fi®, LTE, and Bluetooth® technologies offer reliable connectivity and communication for optimized logistics management.

Specifications

| | | |
|-------------------------|------------------------|--|
| System | CPU | Intel® E3826 dual-core, 1.46 GHz, with 4 GB RAM |
| | Memory | 32 GB MLC-Fast |
| Housing | | Coated aluminum with completely sealed, fanless design |
| Dimensions (W x H x D) | | 290 x 264 x 60.5 mm (11.42 x 10.39 x 2.38 in) |
| Weight | | 3.4 kg (7.49 lb) without antenna |
| Display | | 8" color TFT with 1024 x 600 resolution and 750 cd/m ² brightness |
| Touchscreen | Type | Projected capacitive multi-touch |
| Control Buttons | Front Panel | 12 x control buttons |
| | Keyboard | QWERTY version |
| Software | Operating System | Windows 10 IoT Enterprise, Windows 7/8 Pro, WES7, WE8S, Windows Embedded Compact 7* |
| Communication | Wi-Fi | Wi-Fi IEEE 802.11 a/b/g/n |
| | WWAN | WWAN (GSM, GPRS, EDGE, UMTS, HSPA, LTE) (optional) |
| | LAN | Ethernet 10/100/1000 Mbit/s with optional secondary Ethernet |
| | WPAN | Bluetooth 4.0 |
| Location-Based Services | | GPS (optional) |
| I/O Interfaces | Serial, USB | 1 x RS-232 with 12 V _{DC} , 1 x USB 2.0 host Type A, and 1 x service USB 2.0 with additional USB and RS-232 via master harness cable |
| | CAN | Via master harness cable |
| | External Antennas | 1 x RSMA for Wi-Fi, 1 x SMA for WWAN, and 1 x SMA for GPS |
| Audio | | 1 x integrated speaker (2W) 1 x Mic-In, 1 x Line-In, and 1 x Line-Out via master harness cable |
| Power Supply (Internal) | | 12/24/48 V _{DC} nominal voltages (9 ~ 60 V _{DC} min./max.) with automatic Power On/Off functionality via vehicle ignition and optional uninterruptible power supply (15 minutes typical) |
| Environmental | IP Rating | IP65 rating for the entire system |
| | Touchscreen Durability | IK 06 according to IEC 62262 |
| | Operating Temperature | -30 ~ 50 °C (-22 ~ 122 °F) |
| | Relative Humidity | 10 to 90% at 40 °C (104 °F), non-condensing |
| Certification | Shock/Vibration | 5M3 (EN 60721-3-5) and MIL-STD 810F (US highway truck vibration exposure) |
| | | CE Immunity Class A, Emission Class B/FCC Class B, CCC (for China) |

Dimensions

Unit: mm



Ordering Information

| Part Number | Description | CPU | Memory | Storage | Wi-Fi | BT | GPS | LTE | OS | OS language |
|-------------------|---|------------------------------------|--------|---------|-------|----|-----|-----|----------|---------------------------------|
| DLV4108-7PL210W0E | DLT-V4108 32G Cfast/Win10IoT/WIFI | Intel Atom E3826 Dual Core 1.46GHz | 4GB | 32GB | V | V | X | X | Win10IoT | English, German, Chinese simpl. |
| DLV4108-7PL21FW0E | DLT-V4108 32G Cfast/Win10IoT/WIFI+GPS+LTE(EU) | Intel Atom E3826 Dual Core 1.46GHz | 4GB | 32GB | V | V | V | V | Win10IoT | English, German, Chinese simpl. |
| DLV4108-7PL21DW0E | DLT-V4108 32G Cfast/Win10IoT/WIFI+GPS+LTE(China) | Intel Atom E3826 Dual Core 1.46GHz | 4GB | 32GB | V | V | V | V | Win10IoT | English, German, Chinese simpl. |
| DLV4108-7PL21SW0E | DLT-V4108 32G Cfast/Win10IoT/WIFI+GPS+LTE(US) | Intel Atom E3826 Dual Core 1.46GHz | 4GB | 32GB | V | V | V | V | Win10IoT | English, German, Chinese simpl. |
| DLV4108-7PL2MOW1E | DLT-V4108 32G Cfast/WIFI/32G Cfast/ WEC7 English | Intel Atom E3826 Dual Core 1.46GHz | 4GB | 32GB | V | V | X | X | WEC7 | English |
| DLV4108-7PL2MOW0E | DLT-V4108 32G Cfast/WIFI/32G Cfast/ WEC7 Chinese simpl. | Intel Atom E3826 Dual Core 1.46GHz | 4GB | 32GB | V | V | X | X | WEC7 | Chinese simpl. |

* Further configurations on request!

Packing List

- Power Cable VDC 3m

Optional Accessories

| Part Number | Description |
|-------------|---|
| DL-MTKT004 | Mounting bracket 15° fixed |
| DL-MTRM001 | RAM Mount double 1.5" (arm 150mm, tube mount) |
| DL-MTRM002 | RAM Mount double arm 1.5" (2 arm 150mm) |
| DL-MTRM003 | RAM-Mount long (arm 215mm/plate) |
| DL-MTRM004 | RAM Mount short 2.25" (arm 130mm/plate) |
| DL-STYLO10 | Stylus with mounting, right, for PCT |

Further configurations on request!

I/O Connectors

