

DLT-V7210 K

DLT-V7210 KD

Rugged, X86-Based Vehicle-Mounted Terminal with Integrated Keyboard



Features

- Intel® Atom™ E3845 quad-core, 1.91 GHz, with 4 GB RAM
- 10.1" widescreen WXGA color TFT display with 1280 x 800 resolution and 500 cd/m² brightness
- Optional PCT defroster, ideal for cold chain and cold storage applications
- IK08-certified touchscreen for impact tolerance and abrasion resistance
- Full IP65 rating for protection from water and dust ingress
- 5M3 certification for shock and vibration tolerance
- Wide operating temperature range (-30 ~ 50 °C/-22 ~ 122 °F) to withstand extreme environments
- Integrated keyboard for convenient operation
- Optional uninterruptible power supply
- Supports Windows, Linux, and Android OS
- Certified with SOTI and Navis N4 software

Introduction

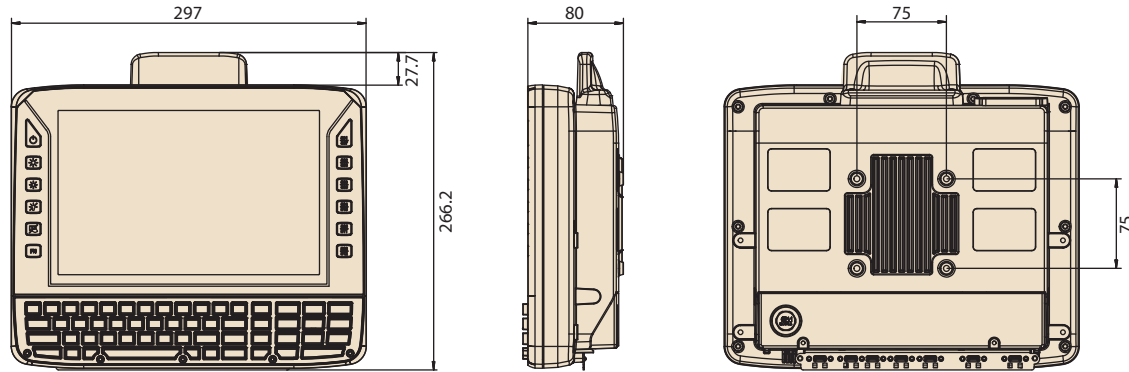
DLT-V7210 K series is a rugged vehicle-mounted terminal with integrated keyboard designed for logistics applications and to provide maximum system uptime. Powered by an Intel® Atom™ E3845 quad-core, 1.91 GHz, processor with 4 GB RAM, DLT-V7210 K series supports a wide operating temperature range (-30 ~ 50 °C/-22 ~ 122 °F) to withstand operation in extreme industrial environments. DLT-V7210 KD also offers PCT defroster, which is ideal for cold chain and cold storage applications. The low-profile antenna offers excellent transmission capabilities in a compact form factor. Furthermore, the integrated user-friendly keyboard offers convenient operation and efficient data input. Meanwhile, the 10.1" widescreen WXGA color TFT display with touch control allows easy input and configurable touch sensitivity ensures easy operation with gloves.

Specifications

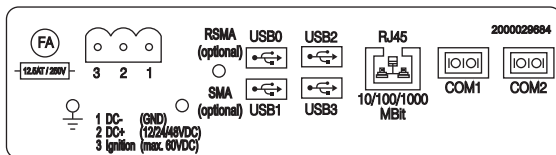
| | | |
|--------------------------|--------------------------|--|
| System | CPU | Intel® Atom™ E3845 quad-core, 1.91 GHz, with 4 GB RAM |
| | Memory | 8Gb - 256GB CFast |
| Dimensions (W x H x D) | | 297.3 x 264.7 x 80 mm (11.7 x 10.42 x 3.15 in) |
| Weight | | 3.7 kg (8.2 lb) without battery pack/accessories |
| Housing | | Coated aluminum with completely sealed, fanless design |
| Display | | 10.1" widescreen WXGA color TFT display with 1280 x 800 resolution and 500 cd/m ² brightness |
| Touchscreen | Type | Sunlight-readable PCT multi touchscreen with optional defroster function (touch sensitivity configurable for glove operation) |
| | Front Panel | 12 x control buttons (6 of which are programmable) |
| Control Buttons/Keyboard | Keyboard | Full-size keyboard (55 keys) with number pad, illuminated keys, and changeable silicon mat; Supports on-site replacement Keyboard versions: DLT-V7210K(QWERTY,QWERTZ,AZERTY); DLT-V7210KD(QWERTY) |
| | Operating System | Windows 10 IoT Enterprise, Windows 7 Pro, WES7, Debian-based Linux, IGEL Linux, Android 7.1.2 |
| Software | Emulations (Third-Party) | VT100, VT220, IBM 5250, TN 3270, Citrix Client®, Freefloat Access One |
| | WLAN | WLAN IEEE 802.11 a/b/g/n/ac (optional) |
| Communication | WWAN | WWAN (LTE, UMTS, HSPA+, GSM, GPRS, EDGE) (optional) |
| | LAN | Ethernet 10/100/1000 Mbit/s |
| | WPAN | Bluetooth 5.0 (optional) |
| I/O Interfaces | Serial | 2 x RS-232, COM1 with switchable 5 V _{DC} /RI |
| | USB | 4 x USB 2.0 (Hi-Speed™) bootable, 1 x service USB 3.0 (Super-Speed™) |
| | External Antennas | 1 x RSMA for WLAN, 1 x SMA for WWAN (optional) |
| Sensors | | Accelerometer, Gyro (optional) |
| Audio | | 1 x integrated speaker |
| Power Supply (Internal) | | 12/24/48 V _{DC} nominal voltage with automatic Power On/Off function via vehicle ignition and optional uninterruptible power supply (20 minutes typical); battery life may vary according to load |
| Environmental | IP Rating | IP65 rating for the entire system |
| | Operating Temperature | -30 ~ 50 °C (-22 ~ 122 °F) |
| | Relative Humidity | 10 to 90% at 40 °C (104 °F), non-condensing |
| | Shock/Vibration | 5M3 (EN 60721-3-5) and MIL-STD 810F (US highway truck vibration exposure) |
| | Touchscreen Durability | IK 08 |
| Certification | | CE Immunity Class A, Emission Class B/FCC Class B (for EU and USA), CCC (for China) |

Dimensions

Unit: mm

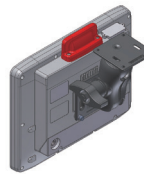


I/O Connectors

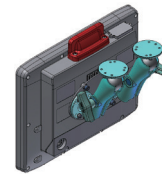


Mount Kit Options

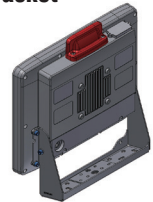
RAM-Mount Set (one arm)



RAM-Mount Set (two arms)



Mobile Mounting Bracket



Optional Accessories

| Part Number | Description |
|-------------|---|
| DL-MTKT009 | Mounting bracket mobile |
| DL-MTRM004 | RAM-Mount Set, one arm, arm length 130mm |
| DL-MTRM003 | RAM-Mount Set, one arm, arm length 215mm |
| DL-MTRM001 | RAM-Mount Set, two arms, arm length 150mm |

Further configurations on request!