

UBC-330

TI Sitara™ AM3352 Cortex®-A8 RISC Computing Box



Features

- TI Sitara™ AM3352 Cortex®-A8 1.0 GHz processor
- 512 MB of DDR3-800 and 4 GB of eMMC NAND Flash onboard
- 4 GPI and 4 GPO ports (with ESD and isolation protection)
- 5x serial port w/ESD protection (Contact 4KV / Air 8KV)
- 2 Gigabit Ethernet ports
- Supports Linux BSP
- 0 ~ 55 °C operating temperature
- Equipped with hardware watchdog time for system protection



Introduction

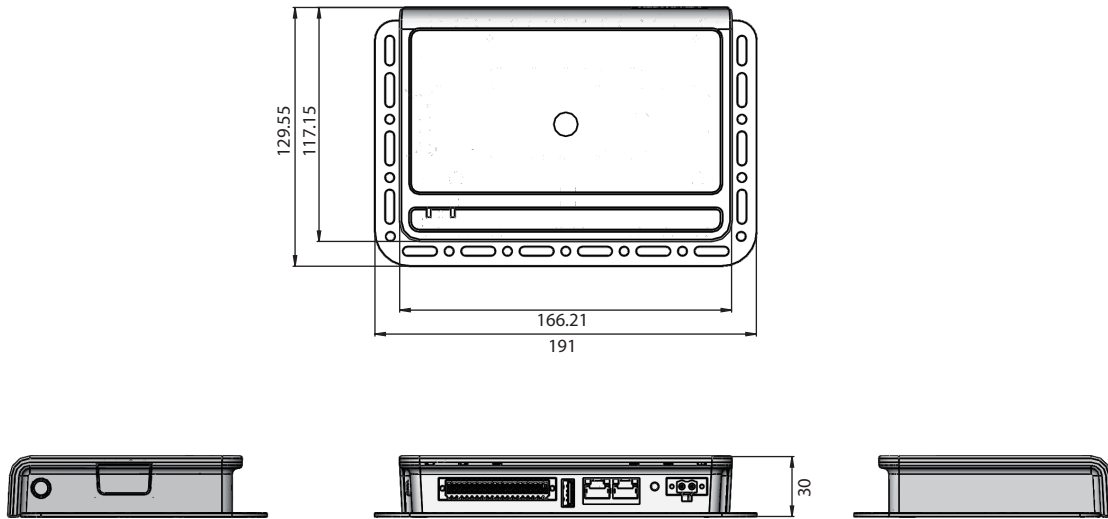
UBC-330 is a RISC computing box powered by a TI Sitara™ AM3352 Cortex®-A8 processor and equipped with 2 Gigabit Ethernet, 5 serial, 4 GPI, and 4 GPO ports. For industrial applications, the serial and GPIO ports feature rugged ESD and isolation protection to prevent system damage from power fluctuations. UBC-330 also supports multiple power input voltages and a wide operating temperature, making it the ideal solution for automation control in smart grid, industrial, and machinery automation applications.

Specifications

Form Factor	Box computer		
Processor System	CPU	TI Sitara™ AM3352 Cortex®-A8 1.0 GHz processor	
	Capacity	512 MB of onboard DDR3 at 800 MHz	
	Flash	4 GB of eMMC NAND Flash for OS and 4 MB of SPI NOR Flash for ADV loader	
Ethernet	Transceiver	RTL 8211	
	Speed	2 x 10/100/1000 Mbps	
WatchDog Timer	MSP430G2202 (timeout: 1 ~ 6553s, default 60s/power on/off 1s)		
I/O	USB	1 x USB2.0 host	
	Serial Port	5 (1x 4 wires RS-232/422/485, 4x 2 wires RS-232) The 5 serial port w/ ESD protection (Contact 4KV/ Air 8KV)	
	CAN	CAN bus version 2.0 A and B	
	GPIO	4 GPI and 4 GPO ports (with optional ESD and isolation protection)	
		GPI: ESD protection: Contact 4KV/ Air 8KV Isolation: 0 ~ 50V _{DC} input and 10KHz speed	GPO: ESD protection: Contact 4KV/ Air 8KV Isolation: 5 ~ 40V _{DC} output and 10KHz speed (200mA max/channel sink current)
	I ² C	1	
	Button	1 x Reset button	
Expansion	SD Socket	1 x SD slot	
Power	Power Supply Voltage	+12/19/24 V DC-in	
	Power Type	2-pole lockable DC-in	
	Power Consumption	3.3 Watts (maximum)	
Environment	Operational Temperature	0 ~ 55 °C	
	Operating Humidity	5 ~ 95% relative humidity, non-condensing	
Mechanical	Dimensions (W x D x H)	117 x 166 x 30 mm	
Operating System	Linux		
Certifications	CE FCC/CCC Class B		

Dimensions

Unit: mm



Ordering Information

Part Number	CPU	Memory	eMMC	SD	CAN	UART	GPIO	Isolation	ESD	USB Host	LAN	Operating Temperature
UBC-330NS-JLA1E	TI AM3352 1.0 GHz	512 MB	4 GB	1	1	5	8	Serial: No GPIO: Yes	Serial: Yes GPIO: Yes	1	2	0 ~ 55 °C

Packing List

Part Number	Description
UBC-330NS-JLA1E	UBC-330 AM3352 1 GHz 512 MB computing box
1652006830-01	20x2P 2.54mm 180D 0156-1A40

Optional Accessories

Part Number	Description
96PSA-A36W12R1-3	ADP A/D 100-240V 36W 12V C6 DC PLUG 90°
1700023307-01	DC jack/plug-in cable 1*2P-5.0 10 cm RSB-4220
170203183C	Power cord 3P Europe (WS-010+WS-083) 183 cm
SQF-MSDM1-8G-21C	SQF MICRO SD C10 MLC 8G (-25 ~ 85 °C)
1700008921	Power Cord 3P PSE 183cm
1700019146	Power Cord CCC 3P 10A 250V 183cm
170203180A	Power cord 3P UK 2.5A/3A 250 V 1.83 M
1700001524	Power cord 3P UL 10A 125 V 180 cm

External I/O

