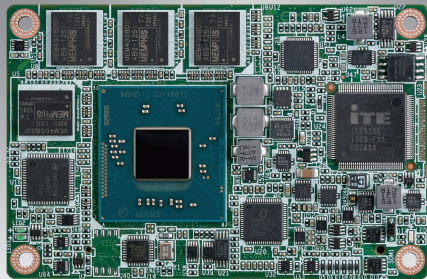


SOM-7567

Intel® Atom™/Celeron® Processor COM Express® Mini Module



Features

- COM R.2.1 Type 10 Mini Module
- Intel® Atom™/Celeron® processor for Intelligent systems (Based on 22nm Silvermont microarchitecture)
- Onboard DDR3L and SSD
- 4.75 ~ 20 V wide-voltage input support
- Embedded Software APIs and Utilities supported

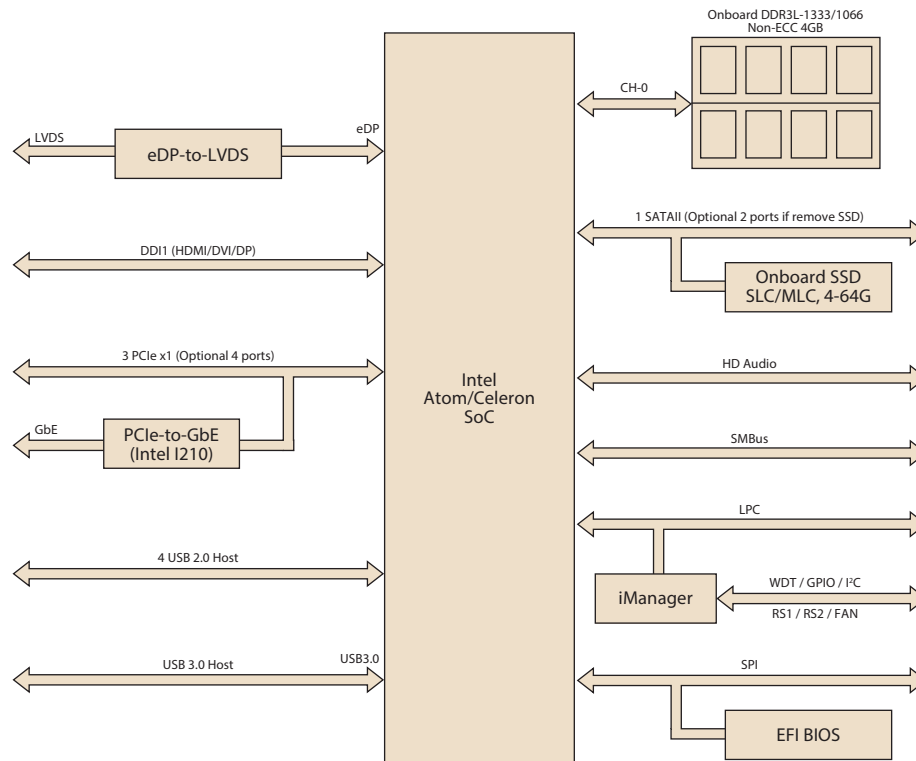
Software APIs:



Specifications

Form Factor	Form Factor	COM Express Mini Module						
	Pin-out Type	COM Express R2.1 Type 10						
Processor System	CPU	Intel Atom E3845	Intel Atom E3825	Intel Atom E3815	Intel Atom E3827	Intel Atom E3805	Intel Celeron J1900	Intel Celeron N2930
	Core	4	2	1	2	-	4	4
	Base Frequency (Normal)	1.91GHz	1.33GHz	1.46 GHz	1.75GHz	1.33GHz	2.00 GHz	1.83 GHz
	Base Frequency (Burst)	-	-	-	-	-	2.42 GHz	2.16 GHz
	LLC	2MB	1MB	512KB	1MB	1MB	2MB	2MB
	CPU TDP	10W	6W	5W	8W	3W	10W	7.5W
Memory	BIOS	AMI UEFI 64Mbit						
	Technology	DDR3L-1333	DDR3L-1066	DDR3L-1066	DDR3L-1333	DDR3L-1066	DDR3L-1333	DDR3L-1333
	ECC Support	N/A						
	Max. Capacity	Up to 4G						
SSD	Technology & Capacity	MLC up to 64GB, SLC up to 32GB						
	Controller	Intel® HD graphics (Gen 7 gtx)					No graphic	
Graphics	Frequency (Normal)	542 MHz	533 MHz	400 MHz	542MHz	-	688 MHz	313 MHz
	Frequency (Turbo)	792 MHz	-	-	792MHz	-	854 MHz	854 MHz
	3D/HW Acceleration	DX11, OGL3.2, OCL1.1, and H.264/AVC, VC-1, MPEG2 HW Decode/Encode						
	LCD	LVDS 1-ch 18/24-bit, up to 1366 x 768 resolution						
Display	DDI (HDMI/DVI/DisplayPort)	Up to 2560 x 1600 resolution						
	Dual Display	LCD + DDI						
Expansion	PCI Express x1	3 Ports (optional 4 PCIe x1 or 1 PCIe x4 while removing Ethernet), compliant to PCIe Gen2 5.0 GT/s						
	Audio Interface	Intel HD Audio						
	LPC	Yes						
Serial Bus	SMBus	Yes						
	I2C Bus	Yes						
Ethernet	Controller	Intel i210E						
	Speed	10/100/1000MHz						
	SATA	1 Ports (optional 2 ports while remove onboard storage), compliant to SATA2.0 3.0 Gb/s						
I/O	USB3.0	1 port						
	USB2.0	4 ports						
	SPI Bus	1 channel, for SPI BIOS EEPROM						
	GPIO	8-bit						
	Watchdog	0-65535 sec, multi-level, multi-option watchdog timer support by Advantech iManager						
	COM Port	2 ports 2-wire COM port (TX/RX)						
	Express Card	2 ports						
	Smart Fan	1 port						
	Power	Type	ATX/AT: 12Vin, VSB: 5VSB					
Supply Voltage		Vin: 4.75V - 20V VSB: 4.75V - 5.25V						
Power Consumption (Max.)		+12V @ 1.38A (E3845)						
		+12V @ 1.59A (J1900)						
		+12V @ 0.74A (E3815)						
Power Consumption (Idle)		+12V @ 0.84A (E3825)						
	+12V @ 1.44A (N2930)							
	+12V @ 0.67A (E3845)							
Environment	Temperature	Operating Standard: 0 ~ 60 °C (32 ~ 140 °F)						
		Extend Temp.: -40 ~ 85 °C (-40 ~ 185 °F)						
	Humidity	Operating: 40 °C @ 95% relative humidity, non-condensing Storage: 60 °C @ 95% relative humidity, non-condensing						
Mechanical	Dimensions	84 x 55 mm (3.3" x 2.17")						

Block Diagram



Ordering Information

Part No.	CPU	Onboard Memory	Onboard Flash	LVDS	HDMI/ DVI/DP	PCIe x1	HD Audio	GbE	SATAII	USB 3.0	USB 2.0	Thermal Solution	Operating Temperature
SOM-7567CS0CB-S9A1	Atom E3845	4GB	N/A	18/24 bits	1	3	Yes	1	2	1	4	Passive	0 ~ 60 °C
SOM-7567BS0CB-S3A1	Atom E3825	2GB	N/A	18/24 bits	1	3	Yes	1	2	1	4	Passive	0 ~ 60 °C
SOM-7567BS0CB-S5A1	Atom E3815	2GB	N/A	18/24 bits	1	3	Yes	1	2	1	4	Passive	0 ~ 60 °C
SOM-7567CM8CB-U0A1	Celeron J1900	4GB	MLC 8GB	18/24 bits	1	3	Yes	1	2	1	4	Passive	0 ~ 60 °C
SOM-7567BS0CB-S8A1	Celeron N2930	4GB	N/A	18/24 bits	1	3	Yes	1	2	1	4	Passive	0 ~ 60 °C
SOM-7567BS0CB-S2A1	Atom E3805	2GB	N/A	N/A	0	3	Yes	1	2	1	4	Passive	0 ~ 60 °C
SOM-7567BS0CB-S7A1	Atom E3827	2GB	N/A	18/24 bits	1	3	Yes	1	2	1	4	Passive	0 ~ 60 °C
SOM-7567CS0XB-S9A1	Atom E3845	4GB	N/A	18/24 bits	1	3	Yes	1	2	1	4	Passive	-40 ~ 85 °C
SOM-7567BS0XB-S3A1	Atom E3825	2GB	N/A	18/24 bits	1	3	Yes	1	2	1	4	Passive	-40 ~ 85 °C
SOM-7567BS0XB-S5A1	Atom E3815	2GB	N/A	18/24 bits	1	3	Yes	1	2	1	4	Passive	-40 ~ 85 °C

*Any other sku or combination is project based support. Please contact sales for details.

Packing List

Part No.	Description	Quantity
-	SOM-7567 COM Express Mini Module	1
1960064246N001	Heatspreader	1

Optional Accessories

Part No.	Description
1960056280N001	Semi-Heatsink 84L x 55W x 13.2H mm (0 ~ 60° C)
1960050950N001	Semi-Heatsink 84L x 55W x 34H mm (-40 ~ 85° C)

Development Board

Part No.	Description
SOM-DB5800-U0A2E	Development Board for COM Express Mini Module Type 10 Pin-out

Embedded OS

OS	Part No.	Description
WES7	2070013084	WES7E SOM-7567 x64 V5.6.8 ENG