

UPOS-510 Series

15" 4:3 Modularized POS System
UPOS-510D with Intel® J1900 Processor
UPOS-510F with Intel® Core i3/i5 Processor



Features

- 15.1" TFT display in LED backlight.
- Flat and borderless front PCAP touch panel design.
- Fanless design for quiet operation.
- Aluminum alloy tower of stand provide the reliable system and able to deploy in small space.
- Clean cable and screwless back design
- Reserved display hatched for peripheral requirement



Introduction

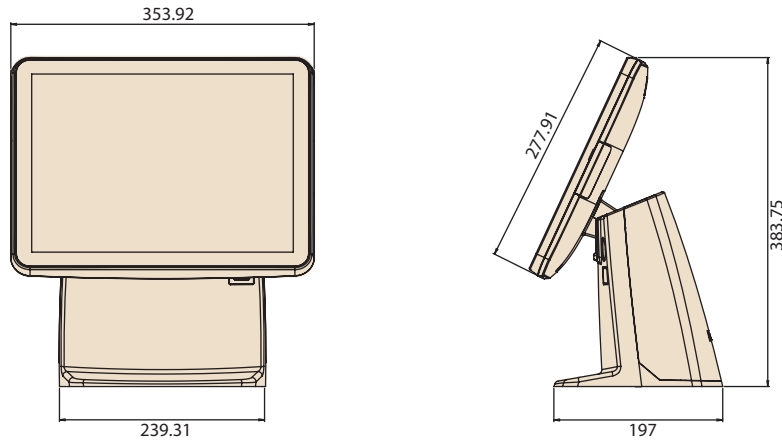
UPOS series is a modern and sleek industrial Point of Sales system. Borderless front touch panel maximizes the viewing area. Aluminum alloy coating stand provides secured support to the display. Small footprint enables the system to be deployed in limited-space scenarios. Snap-in back cover allows quick access to the system and easy maintenance. Front display reserved hatches on the top and both sides, varying the needs to expand peripheral applications.

Specifications

System	Model	510D	510F
	CPU	Intel® Celeron® J1900 processor	Intel® Core™ i5-6300U/Core™ i3-6100U
System Memory	Technology	Single channel DDR3L 1333MHz	Single channel DDR4 2133MHz
	Max. Capacity	8GB	16GB
	Socket	1 x 204pin SO-DIMM	1 x 260pin SO-DIMM
Storage	HDD	1 x 2.5" SATA HDD/SSD Bay	1 x 2.5" SATA HDD/SSD Bay(optional 2nd SATA3)
	SATA	SATA II (3.0Gb/S)	SATA III (6.0Gb/S)
	Expansion	1 x Full-size mini PCIe (for mSATA/Wi-Fi/BT)	
Display	Resolution	15" TFT LCD (1024 x 768) with LED backlight	
	Brightness	250 cd/ m ²	
	Touch Screen	P-Cap Touch	
External I/O	Serial Port	2 x COM (RJ48 with 5V/12V selectable by internal jumper) (Max to 4 x COM)	
	USB Port	1 x USB 2.0 in front 1 x USB 3.0 and 1 x USB 2.0 in IO bay (Max to 1 x USB 3.0 and 3 x USB 2.0)	1 x USB 2.0 in front 2 x USB 3.0 in IO bay (Max to 2 x USB3.0 and 3 x USB2.0)
	Video Output	1 x VGA1 Port (DSUB-15) 1 x Display Port (Reserved for BOX PC)	
	Ethernet	1 x RJ-45 Gigabit Ethernet(10/100/1000)	
	Cash Drawer	1 x RJ11 (12V Default /24V by internal jumper)	
	DC In	4 pin power jack	
	DC Out	12V 2-pin connector for 2nd display	
	Speaker	1 x 2W speakers	
	Power Button	Power Switch (LED indicator inside)	
	Display Hatch (Top)	VGA for second display	
	Display Hatch (Right)	PS/2 + USB	
	Display Hatch (Left)	Reserved	
Optional Modules	Adapter	60W	84W
	Second Display	Supports 10.1" TFT LCD/VFD via display hatch (top) Supports 15" TFT LCD via rear pole mount	
	Peripherals	<ul style="list-style-type: none"> ▪ MSR ▪ MSR + iButton ▪ MSR + Fingerprint ▪ MSR + RFID ▪ MSR + IC card 	
	Connectivity	WiFi (802.11 b/g/n), Optional	
Mechanical & Environmental	Color	Black / White / Black+Orange	
	Operating Temperature	0 ~ 40 °C (32 ~ 104 °F)	
	Humidity	10 ~ 95% @ 40 °C, non-condensing	
	Certifications	CE/FCC/BSMI/CCC/CB	
Software	OS Support	POSReady 7 / Win 10 IoT Enterprise	

Dimensions

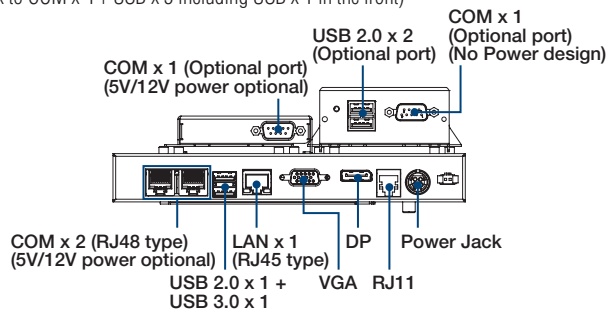
Unit: mm



IO View

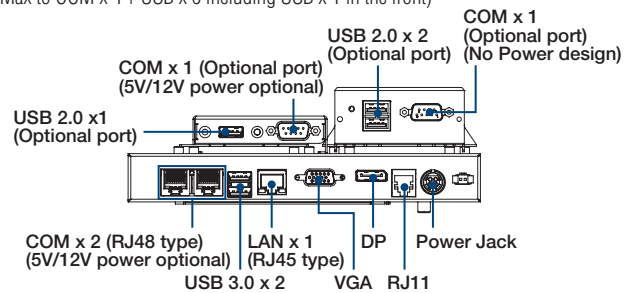
UPOS-510DP

(Max to COM x 4 + USB x 5 including USB x 1 in the front)



UPOS-510FP

(Max to COM x 4 + USB x 6 including USB x 1 in the front)



Order Information

Part Number	Description
UPOS-510DP-AST00	J1900 USB3 COM2 BK 4G RAM
UPOS-510DP-AST01	J1900 USB3 COM2 BK 4G RAM 500G HD
UPOS-510DP-AST02	J1900 USB3 COM2 BK 4G RAM 64G SSD
UPOS-510FP-AI300	i3-6100U,4G RAM, BK, USB3, COM2
UPOS-510FP-AI301	i3-6100U,4G RAM, BK, USB3, COM2, 500G HD
UPOS-510FP-AI302	i3-6100U,4G RAM, BK, USB3, COM2, 64G SSD
UPOS-510FP-AI500	i5-6300U USB3 COM2 BK 4G RAM
UPOS-510FP-AI501	i5-6300U USB3 COM2 BK 4G RAM 500G HD
UPOS-510FP-AI502	i5-6300U USB3 COM2 BK 4G RAM 64G SSD

POS Peripheral

PN	Description
UPOS-P02-A100	10.1" 2nd display,BK,rear mount for UPOS-510/520
UPOS-P02-A102	15.1" 4:3 2nd DS BK pole mount VGA,UPOS-510
UPOS-P02-A103	15.1" 4:3 2nd DS P-Cap touch BK pole mount VGA, UPOS-510
UPOS-P03-A100	MSR, PS2 for UPOS-510/UPOS-520
UPOS-P03-A101	MSR, PS2 + ibutton for UPOS-510/UPOS-520
UPOS-P03-A102	MSR, PS2 + RFID for UPOS-510/UPOS-520
UPOS-P03-A103	MSR, PS2 + fingerprint for UPOS-510/UPOS-520
UPOS-P03-A104	MSR, PS2 + IC card for UPOS-510/UPOS-520
EWM-W135F01E	Full Size Mini PCIe,802.11 a/b/g/n, Atheros AR9382, 2T2R
EWM-W157H01E	Half Size Mini PCIe,802.11 a/b/g/n/ac, Realtek RTL8821AE, 1T1R, w/ BT4.0 (Android 4.4 OS)
EWM-W168H01E	Half Size Mini PCIe,RTL8822BE-CG 802.11 a/b/g/n/ac WIFI with Bluetooth 4.2 combo half mini card (HMC), 2T2R
1960047454T000	Half_Minipcie bracket for AMO-WIFI06E (should order w/ half size module)
1750008918-01*1	PCB Ant.D.B 2.4+5G WIFI MHF1/113 GRV/BLK L220x2 (should order together)

POS Accessory

PN	Description
URP-PT800-B401	80mm Thermal Printer, USB+Serial+Ethernet,blk
1702002600	Power Cord UL 3P 10A 125V 183cm
1702002605	Power Cord EU 3P 10A 250V 183cm

Operating System

PN	Description
2070015018	Img POSReady7 UPOS-5xxD 32bit V1.00 5MUI
2070015019	Img POSReady7 UPOS-5xxD 64bit V1.00 5MUI
2070015020	Img POSReady7 UPOS-5xxF 32bit V1.00 5MUI
2070015021	Img POSReady7 UPOS-5xxF 64bit V1.00 5MUI
2070015026	WIN10 LTSB 2016 UPOS-5xxF(15) V1.00 7MUI 64Bit
2070015025	Img WIN10 LTSB 2016 UPOS-5xxD V1.00 7MUI 64Bit
20708WX6ES0021	Img WIN10 LTSB-6 UPOS-5xxD V1.00 7MUI x86
20708AI0NS0001	UPOS-211D V0.9.5 Android Image 444