

Airborne Ethernet Cable

RJ-45 to Hirose 7-Position Connectors

Model BB-ACH0-CA-DP003-G

B+B SMARTWORX

Powered by

ADVANTECH

www.advantech-bb.com



KEY FEATURES

- + NOTE: for use with these Airborne M2M models:
BB-ABDN-ER-DP553 — serial server, open board
BB-APXN-DP553 – access point, open board
- + Terminal Pull-out Force: 2.0 kg.
- + Continuity Testing, insulation resistance: 5 M Ohm, min.
- + Continuity Testing, conductive resistance: 1.0 M Ohm, max.
- + UL, CM, cUL, RoHS

ORDERING INFORMATION

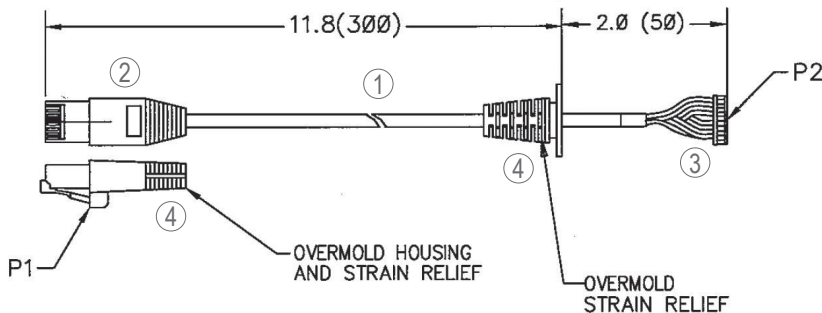
| MODEL NUMBER | CONNECTOR 1 | CONNECTOR 2 | LENGTH | COLOR |
|--------------------|-------------|--------------------|------------------|-------|
| BB-ACH0-CA-DP003-G | RJ-45 | Hirose, 7-position | 350 mm (13.8 in) | Gray |

TABLE 1. WIRING

| RJ-45P (P1) | HIROSE (P2) 7-Position | WIRE COLOR |
|-------------|------------------------|---------------------|
| 4/5 | 4 | Blue & Blue/White |
| 6 | 5 | Green |
| 3 | 6 | Green/White |
| 7/8 | 1 | Brown & Brown/White |
| 2 | 2 | Orange |
| 1 | 3 | OrangeWhite |
| – | 7 | (Drain) |

MECHANICAL DRAWING

Units = inches (mm)

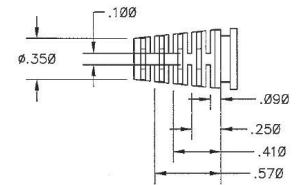


- ① Cable, UL CM+cUL, Cat-3 or better, STP, 26-28AWG stranded x 4PR, Ae, Foil Shield w/Drain Wire, PVC, OD: 0.216 +/- 0.007, Color: Gray
- ② (P1) RJ45-P connector, AMP pn# 554169 (or equivalent)
- ③ (P2) HIROSE connector, pn# DF13-7S-1.25C (or equivalent)
- ④ Strain Relief Material: PVC, 45P, Shore A 84 +/- 5.0 degrees. Color: Gray

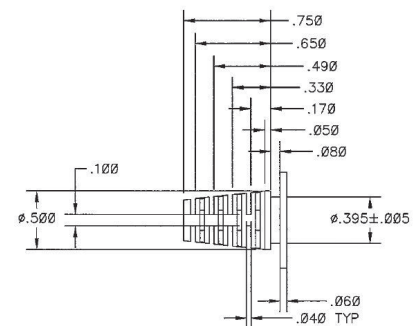
STRAIN RELIEF MOLDINGS

Units = inches

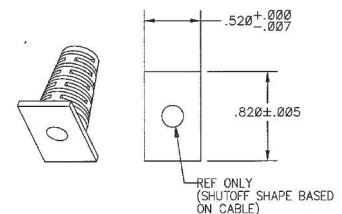
RJ-45



HIROSE
7-position



HIROSE
7-position
Detail



All product specifications are subject to change without notice.

BB-ACH0-CA-DP003-G_3718ds

B+B SMARTWORX

Powered by

ADVANTECH

orders@advantech-bb.com
support@advantech-bb.com

Corporate Headquarters: 707 Dayton Road, PO Box 1040 Ottawa, IL 61350 USA 815-433-5100 Fax 433-5104
European Office: Westlink Commercial Park, Oranmore Co. Galway Ireland +353 91 792444 Fax +353 91 792445