

# FSP120-AHAN3

120 W AC/DC Adapter



Plug Type: Power mini-DIN (4P)

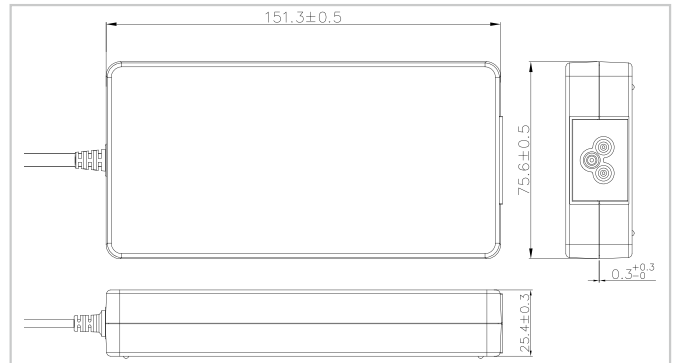


**\*\*Meet ErP & PSE**

## Specifications

- Input Voltage Range: 90-264 VAC
- Input Frequency: 47-63 Hz
- Output Voltage: 12 V
- Output Current: 10 A
- Output Watts: 120 W
- Efficiency: 87%
- Operating Temperature: 0°C ~ 40°C
- Storage Temperature: -20°C ~ 80°C

## Dimensions (Unit: mm)



## Ordering Information

Part No.	Description
63040-010120-210-RS	19 V 120W power adapter, 90~264 VAC input, ErP, PSE

# FSP096-AHAN3

96 W AC/DC Adapter



Plug Type: Power mini-DIN (4P)

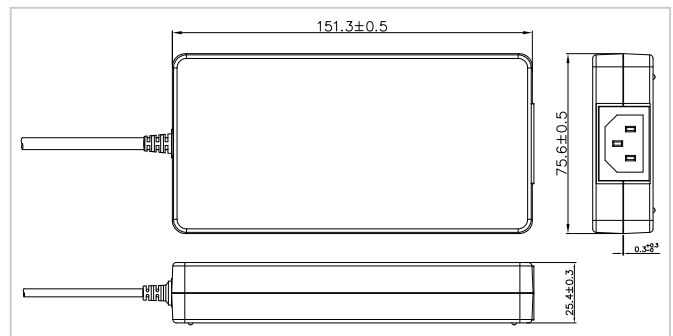


**\*\*Meet ErP & PSE**

## Specifications

- Input Voltage Range: 90-264 VAC
- Input Frequency: 47-63 Hz
- Output Voltage: 12 V
- Output Current: 8 A
- Output Watts: 96 W
- Efficiency: 88%
- Operating Temperature: 0°C ~ 40°C
- Storage Temperature: -20°C ~ 80°C

## Dimensions (Unit: mm)



## Ordering Information

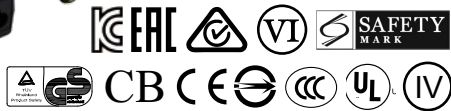
Part No.	Description
63040-010096-200-RS	12V 96W power adapter with DIN 4-pin/lock 90~264 VAC input, ErP, PSE, KC, BSMI

# FSP090-DIEBN2

87 W AC/DC Adapter



Plug Type: Power mini-DIN (4P)

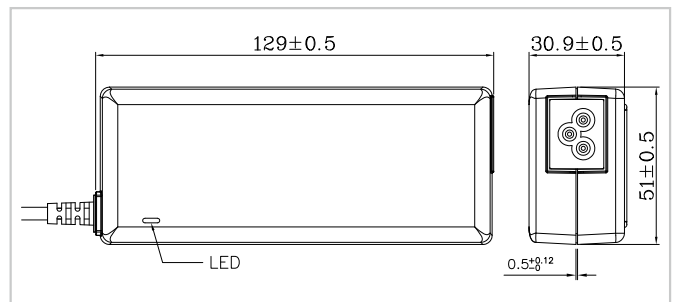


**\*\*Meet ErP & PSE**

## Specifications

- Input Voltage Range: 90-264 VAC
- Input Frequency: 47-63 Hz
- Output Voltage: 19 V
- Output Current: 4.74 A
- Output Watts: 87 W
- Efficiency: 86%
- Operating Temperature: 0°C ~ 40°C
- Storage Temperature: -30°C ~ 60°C

## Dimensions (Unit: mm)



## Ordering Information

Part No.	Description
63040-010090-101-RS	19V 90W power adapter with DIN 4-pin/lock 90~264 VAC input, ErP