

PCM-2604C-AE PCM-2602C-AE PCM-2610B-AE PCM-2612B-AE

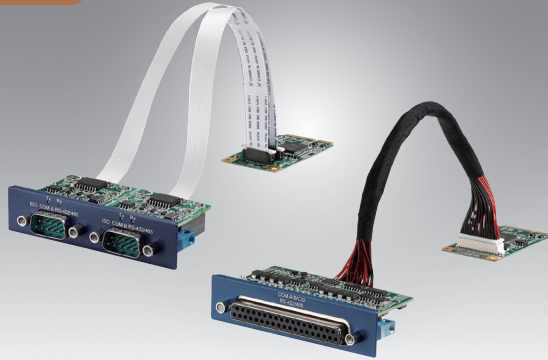
Isolated RS-232, 2-Ports, DB9, PCIe I/F

Isolated RS-422/485, 2-Ports, DB9, PCIe I/F

Non-Isolated RS-232, 4-Ports, DB9, PCIe I/F

Non-Isolated RS-422/485, 4-Ports, DB9, PCIe I/F

NEW



Features

- Meets Advantech Standard iDoor Technology
- PCI Express® Mini Card Specification Revision 1.2 compliant
- Speeds up to 921.6 kbps for extremely fast data transmission
- Supports any baud rate setting (50bps-921.6kbps)
- Supports both Isolated & Non-Isolated Protection with 2/4 Ports RS-232/422/485
- I/O address automatically assigned by PCIe plug & play
- Operating systems supported: Windows XP/7/8/10, and Linux
- XR17V352/XR17V354 UART with 256-byte FIFOs

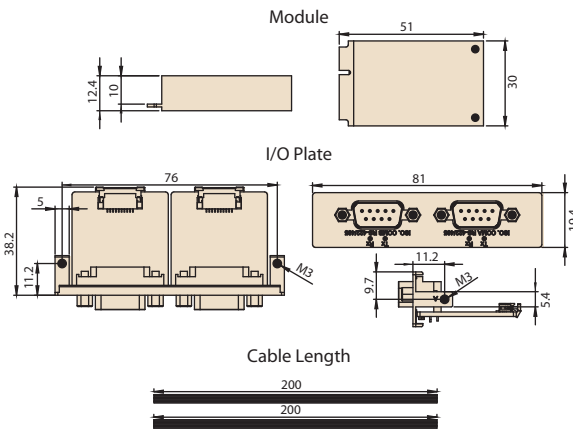
Specifications

General	Bus Type	PCI Express Mini Card Revision 1.2
	Certification	CE, FCC class A
	Connectors	2 x Male DB9 for PCM-260X 1 x Female DB37 for PCM-261X
	Dimensions	Module: 51 x 30 x 12.4 mm (2" x 1.18" x 0.49") I/O Plate: 81 x 19.4 x 41 mm (3.19" x 0.76" x 1.61")
	Power Consumption	400 mA @ +3.3 V for PCM-260X 500 mA @ +3.3 V for PCM-261X
Communications	Comm. Controller	XR17V352 for PCM-260X XR17V354 for PCM-261X
	Data Bits	5, 6, 7, 8
	Data Signals	RS-232: TX, RX, RTS, CTS, DTR, DSR, DCD, DI, GND RS-422: TX+, TX-, RX+, RX-, (PCM-2612B-AE) TX+, TX-, RX+, RX-, CTS+, CTS-, RTS+, RTS- (PCM-2602C) RS-485: Data+, Data-
	FIFO	256 bytes
	Flow Control	Flow Control RTS/CTS (PCM-2612B not supported), Xon/Xoff
	Parity	None, Odd, Even, Mark and Space
	Speed	50 bps ~ 921.6 kbps
Protection	Stop Bits	1, 1.5, 2
	Isolation Protection	2,000 V _{DC} for PCM-260XC-AE
	ESD Protection	15 KV
	EFT Protection	1,000 V
Software	Surge Protection	1,000 V _{DC}
	Bundled Software	ICOM Tools & Drivers
	OS Support	Windows XP/7/8/10, and Linux
Environment	Humidity (Operating)	5-95% RH, non-condensing
	Operating Temperature	-20 ~ 60° C (-4 ~ 140° F)
	Storage Temperature	-40 ~ 85° C (-40 ~ 185° F)

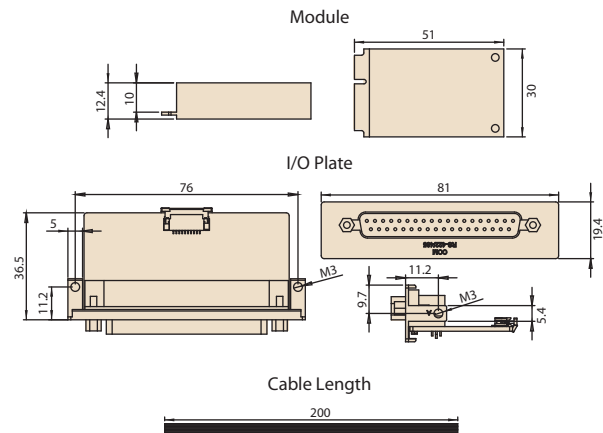
Dimensions

Unit: mm

PCM-260X-AE



PCM-261X-AE



Ordering Information

Part Number	Description
PCM-2604C-AE	Isolated RS-232, 2-Ports, DB9, PCIe I/F
PCM-2602C-AE	Isolated RS-422/485, 2-Ports, DB9, PCIe I/F
PCM-2610B-AE	Non-Isolated RS-232, 4-Ports, DB9, PCIe I/F
PCM-2612B-AE	Non-Isolated RS-422/485, 4-Ports, DB9, PCIe I/F