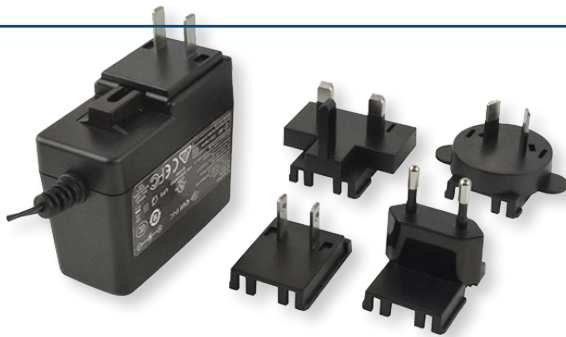


AC-DC Power Supplies - 18W

Models BB-SMi18-5-V-P5, BB-SMi1812VP230C1

ADVANTECH

www.advantech.com



- + DOE Level VI, CEC, ErP Stage 2 Energy Efficiency
- + Universal Input Voltage Range – 90 to 264V AC
- + Single Regulated DC Output
- + No Load Power Consumption, < 0.1W
- + Over-voltage, Over-current, Short Circuit Protections
- + Interchangeable, International AC Input Blades (kit included)
(North America, Europe, UK, Australia, China)

OVERVIEW

The BB-SMi18-x series is an 18 Watt wall plug-in AC-DC power supply adapters with interchangeable AC blades. These high efficiency power supplies utilize the latest in green power technology. The series meets the latest US DoE Level VI efficiency standards in addition to the proposed and more stringent EU CoC Tier 2 requirements.

Designed for global use, BB-SMi18-x adapters include plug options for North America, Europe, United Kingdom, Australia and China.

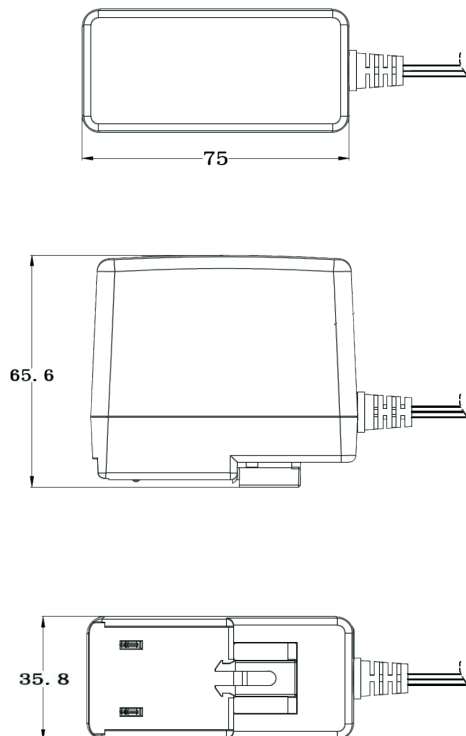
ORDERING INFORMATION

MODEL NUMBER	OUTPUT VOLTAGE (V DC)	OUTPUT CURRENT (A, max)	OUTPUT POWER (W, max)	RIPPLE & NOISE ¹ (mVp-p, max)	OUTPUT PLUG
BB-SMi18-5-V-P5	5	3	15	100	Standard DC Straight Plug
BB-SMi1812VP230C1	12	1.6	19.2	120	Jack

1. At full load, nominal input, 20 MHz bandwidth oscilloscope, each output terminated with 0.1 μ F multi-layer ceramic and 10 μ F low ESR electrolytic capacitors.

MECHANICAL DRAWING - POWER SUPPLY

Units = mm



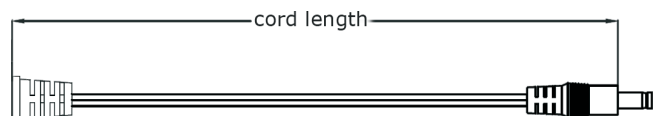
MECHANICAL DRAWING - AC INPUT BLADES

Units = mm

INTERCHANGEABLE BLADES					
BLADE DESIGNATOR	N	E	B	A	C
REGION	North America	Europe	UK	Australia	China
BLADE ACCESSORY	SMI-US-2	SMI-EU-2	SMI-UK-2	SMI-AU-2	SMI-CN-2
BLADE					

MECHANICAL DRAWING - DC CORD

Units = mm



Model No.	Cable	Cord Length
BB-SMi18-5-V-P5	UL2468, 18 AWG	1,500 mm \pm 30
BB-SMi1812VP230C1	UL2468, 20 AWG	1,500 mm \pm 30

All product specifications are subject to change without notice.
BB-SMi18-x_PowerSupplies_5020ds

ADVANTECH

Advantech B+B SmartWorx, 707 Dayton Road, PO Box 1040 Ottawa, IL 61350 USA 1 (800)346-3119/Toll Free | orders@advantech-bb.com | support@advantech-bb.com

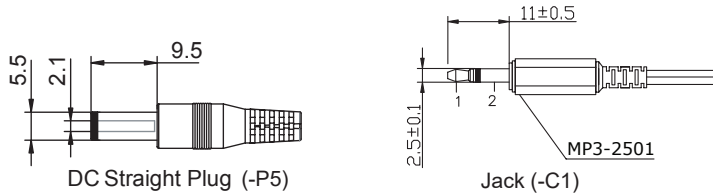
AC-DC Power Supplies - 18W

Models BB-SMi18-5-V-P5, BB-SMI1812VP230C1



MECHANICAL DRAWING - OUTPUT PLUGS

Units = mm



SPECIFICATIONS

PARAMETER	CONDITIONS/DESCRIPTION	MINIMUM	TYPICAL	MAXIMUM	UNITS
POWER - INPUT					
Voltage	-	90	-	264	V AC
Frequency	-	47	-	63	Hz
Current	-	-	-	0.48	A
In-rush Current	At 100V AC, full load, 25 °C, cold start At 230V AC, full load, 25 °C, cold start	-	-	50 60	A A
Leakage Current	-	-	-	0.25	mA
No-load Power Consumption	At 230V AC	-	-	0.1	W
POWER - OUTPUT					
Regulation	5V DC output model All other models	-	+/- 6 +/- 5	-	% %
Hold-up Time	At full load	10	-	-	ms
PROTECTIONS					
Over-Voltage Protection	Output shut down 5V DC output model 12V DC output model	-	-	- 12 22	- V DC V DC
Over-Current Protection	Output shut down, auto recovery 5V DC output model 12V DC output model	-	-	7 5	A A
Short Circuit Protection	output shut down, auto recovery	-	-	-	-
ENVIRONMENTAL					
Operating Temperature	-	0	-	40	°C
Storage Temperature	-	-20	-	80	°C
Operating Humidity	Non-condensing	20	-	80	%
Storage Humidity	Non-condensing	10	-	90	%
MECHANICAL					
Dimensions	75 x 35.8 x 65.6 mm	-	-	-	mm
Inlet Plug	Interchangeable blades (North America, Europe, United Kingdom, Australia, China)	-	-	-	-
Weight	Without blades	-	170	-	g
SAFETY					
Isolation Voltage	Input to output at 10 mA for 1 minute	-	3,000	-	V AC
Isolation Resistance	Input to output at 500V DC	10	-	-	MΩ
APPROVALS / CERTIFICATIONS					
Safety Approvals	UL/cUL, RCM, CCC, PSE	-	-	-	-
EMI/EMC	FCC Part 15B Class B, CE	-	-	-	-
MTBF	As per Telcordia SR-332, 25 °C	300,000	-	-	hours
RoHS	2011/65/EU	-	-	-	-