

# RS-232 to RS-485 Converter

## – pluggable terminal block

### Model BB-485PTBR

**ADVANTECH**

www.advantech.com



#### PRODUCT FEATURES

- Converts RS-232 signals to RS-485 signals
- Extends data communication up to 1219 meters (4000 ft)
- Multi-drop capability - up to 32 receivers per driver
- Pluggable terminal block for easy wiring
- Data rate: 300bps to 115.2 kbps
- Quick, easy inline installation
- 12 VDC power supply required (not included, sold separately)

#### OVERVIEW

Model BB-485PTBR converts unbalanced RS-232 signals to balanced, full or half-duplex RS-485 signals. RS-485 is an enhanced version of the RS-422 Standard allowing multiple drivers and receivers on a two-wire system. The RS-232 port has a female DB9 connector with pins 2(RD), 3(TD), and 5(SG) supported. Pins 7(RTS) and 8(CTS) are tied together. Also pins 6(DSR), 1(CD), and 4(DTR) are tied together, but not passed through the converter. The RS-485 port has an 8-position pluggable terminal block connector.

#### BAUD RATE

Model BB-485PTBR supports baud rates from 300 to 115.2K. In order to change the baud rate, a resistor and possibly a capacitor must be changed. By looking up the selected baud rate on **Table 1** the resistor and capacitor value can be determined. Remove R3 and C7 from the printed circuit board. Place new components in the R2 and C6 locations. See **Figure 1** and **2** for resistor and capacitor locations.

#### BIASING RESISTORS

The biasing resistors R5 and R7 can also be altered. Model BB-485PTBR comes standard with 4.7K biasing resistors. To change the value of biasing resistors, remove R5 and R7 and replace with new value in locations R4 and R6. See **Figures 1 and 2** for resistor locations.

#### TERMINATION RESISTOR

The termination resistor is located at R8. A termination resistor can be placed in the R8 location and a jumper wire placed from the terminal location to RD(B). B+B SmartWorx recommends a 100-120 Ohm resistor for termination. See **Figure 2** for termination resistor location.

#### CONSTANT RECEIVER ENABLE

The BB-485PTBR is factory-set with the receiver disabled during transmission. It can be set for constant receiver enable. When R9 is removed, the receiver is in constant receive mode (four-wire). When R9 is in the circuit it is in half-duplex mode (two-wire). See **Figure 1** for jumper location.

#### DATA LINE POLARITY

The polarity of the two RS-485 lines must be correct. With no data being sent, the RS-232 line should be negative and the RS-485 "A" terminal should be negative with respect to the "B" terminal. If your equipment uses a "+" and "-" naming scheme, in most cases, the "A" line will be connected to the "-" and the "B" line will be connected to the "+".

#### ORDERING INFORMATION

MODEL NUMBER	DESCRIPTION
<b>BB-485PTBR</b>	RS-232 to RS-485 Converter, with pluggable terminal block

#### ACCESSORIES - sold separately

BB-SMi6-12-V-ST – Power Supply, 12 VDC 6 Watt, Stripped and Tinned, International AC Input, International AC Blades (power supply required)

#### SPECIFICATIONS

SERIAL TECHNOLOGY	
RS-232 Connector	DB9 female
RS-485 Connector	8-position pluggable terminal block
Baud Rate	300 to 115.2 kbps
POWER	
Source	External (power supply required, not included, sold separately)
Input Voltage	12 VDC, 100 mA
MECHANICAL	
Enclosure	In-line mount, plastic
MEANTIME BETWEEN FAILURES (MTBF)	
MTBF	3857995 hours
MTBF Calc. Method	MIL 217F Parts Count Reliability Prediction
APPROVALS / DIRECTIVES / STANDARDS	
FCC, CE	
CE - Directives	2014/30/EU – Electromagnetic Compatibility Directive (ECD) 2011-65/EU – amended by (EU) 2015/863 Reduction of Hazardous Substances Directive (RoHS) 2012/19/EU – Waste Electrical and Electronic Equipment (WEEE)
CE - Standards	EN 55032 Class B – Electromagnetic Compatibility of Multimedia Equipment – Emission Requirements EN 55024 - Information Technology Equipment - Immunity Characteristics – Limits and Methods of Measurement
Other	EN 61000-6-3 + A1 – Generic Emission Standard for Residential, Commercial and Light-industrial Environments (Class B) EN 61000-6-2 – Generic Immunity Standard for Industrial Environments

All product specifications are subject to change without notice.  
BB-485PTBR\_2120ds

**ADVANTECH**

Advantech B+B SmartWorx, 707 Dayton Road, PO Box 1040 Ottawa, IL 61350 USA 1 (800)346-3119/Toll Free | orders@advantech-bb.com | support@advantech-bb.com

# RS-232 to RS-485 Converter

– pluggable terminal block

Model BB-485PTBR



Table 1. COMPONENT REPLACEMENTS FOR CHANGING BAUD RATE TIMEOUTS

BAUD RATE	TIME (MS)	RESISTOR R3 (OHM)	CAPACITOR C7 (MFD)
300	33.3	330k	0.1
600	16.6	160k	0.1
1200	8.33	820k	0.01
2400	4.16	430k	0.01
4800	2.08	200k	0.01
9600	1.04	100k	0.01
19200	0.520	56k	0.01
38400	0.260	27k	0.01
57600	0.176	16k	0.01
115200	0.0868	8.2k	0.01

Figure 1. PC BOARD LAYOUT - TOP

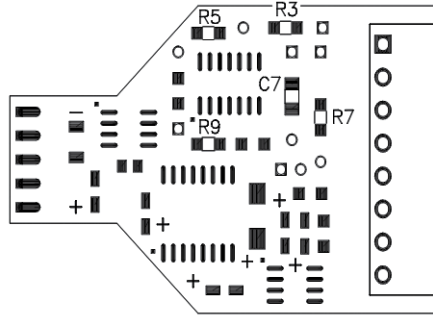
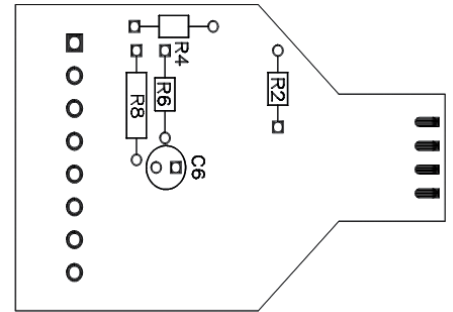
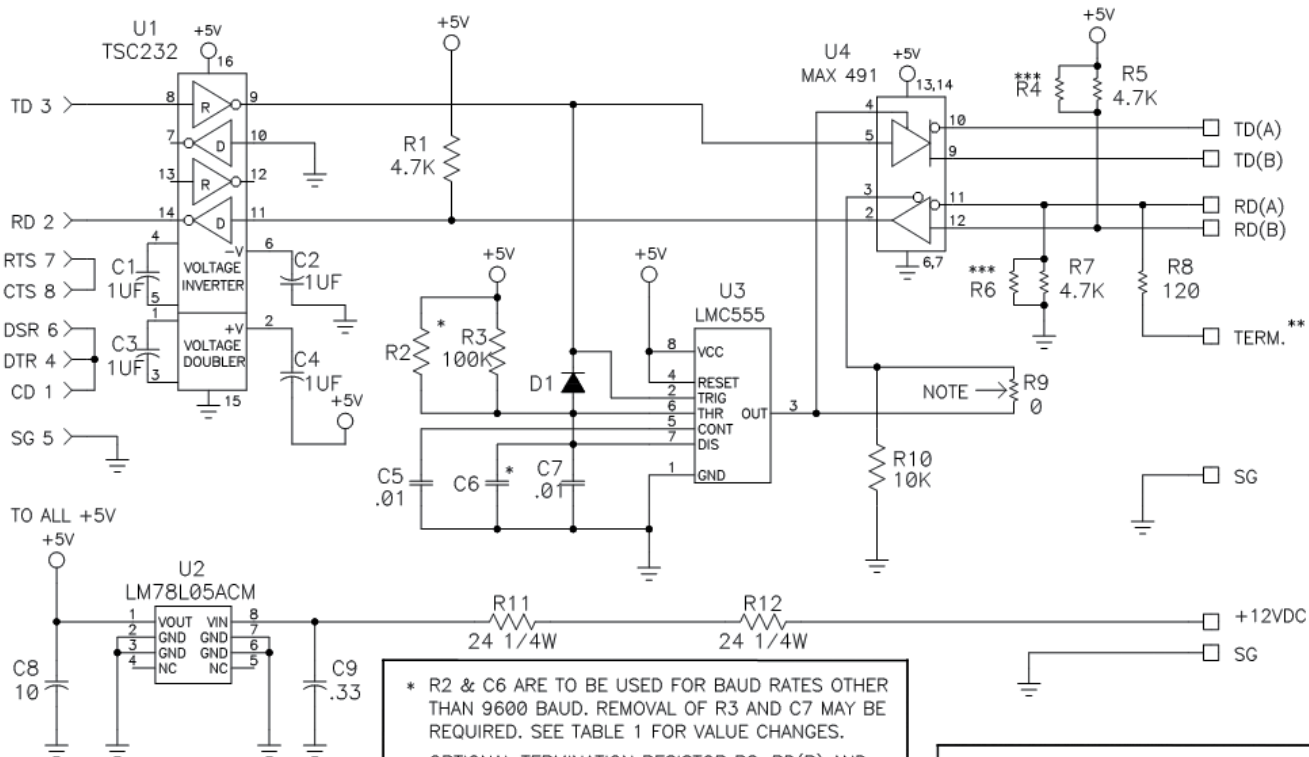


Figure 1. PC BOARD LAYOUT - BOTTOM



## SCHEMATIC



\* R2 & C6 ARE TO BE USED FOR BAUD RATES OTHER THAN 9600 BAUD. REMOVAL OF R3 AND C7 MAY BE REQUIRED. SEE TABLE 1 FOR VALUE CHANGES.

\*\* OPTIONAL TERMINATION RESISTOR R8. RD(B) AND TERM. CAN BE JUMPED TO ENABLE TERMINATION RESISTOR.

\*\*\* RESISTORS R4 AND R6 ALLOW CHANGES TO THE OFF STATE BIASING. REMOVAL OF R5 AND R7 MAY BE REQUIRED.

NOTE: 0 OHM RESISTOR R9 TO BE REMOVED FOR CONSTANT RECEIVER ENABLE. R9 CAN BE RESOLDERED TO ITS LOCATION IN ORDER TO DISABLE THE RECEIVER DURING TRANSMIT DATA.