

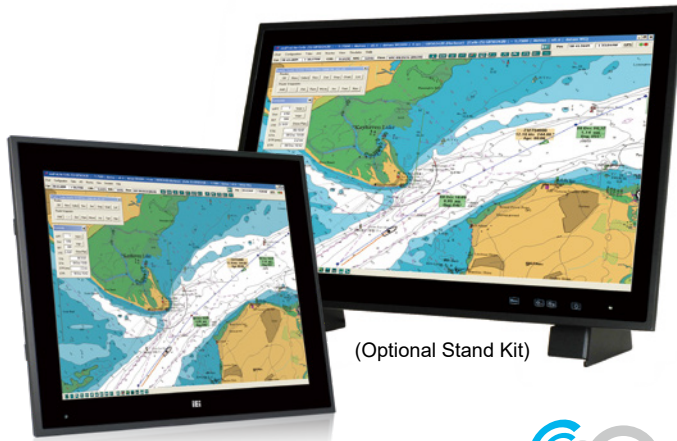
Marine Panel PC Series

S19A-QM87

Intel® Core™ i5 Dual-core Processor

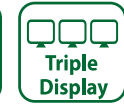
S24A-QM87

Intel® Core™ i5 Dual-core Processor



(Optional Stand Kit)

- 19" and 24" Fanless Panel PC with 4th Generation Intel® Core™ i5 Dual-core Processor
- -15°C ~ +55°C Wide Temperature and IP66 Protection with Flat-bezel Projected Capacitive Touchscreen
- Excellent Visual Performance
 - Three independent displays
 - Full OSD function configuration
 - 0%~100% full range dimming
 - 178°/178° wide viewing angles
 - Optical bonding improves visibility under bright light (optional)
- Isolation Protection
 - RS-232/422/485 isolated serial ports
 - Isolated 18V ~ 36V DC input
 - 2 x Isolated CAN-bus 2.0B
- iRIS Remote Management Module



Specifications

| Model | | S19A-QM87 | S24A-QM87 |
|----------------------------|---|--|---|
| LCD | LCD Size | 19" | 24" |
| | Panel Type | PMVA | AMVA |
| | Max. Resolution | 1280 x 1024 (5:4) | 1920 x 1080 (16:9) |
| | Contrast Ratio | 2000 : 1 | 5000 : 1 |
| | Brightness (cd/m²) | 300 | 300 |
| | LCD Color | 16.7M | 16.7M |
| | Pixel Pitch (um) | 294 x 294 | 276.75 x 276.75 |
| | Viewing Angles (H-V) | 178° / 178° | 178° / 178° |
| Backlight MTBF (HRs) | 50000 | 50000 | |
| Touchscreen & Controller | | EEX3188 (10 point), 6H | EEX3188 (10 point), 6H |
| System | SBC Model | SMB-QM87-R10 | |
| | Chipset | Intel® QM87 | |
| | CPU | Intel® 22nm 4th generation Mobile Core™ i5-4400E 2.7GHz processor | |
| | RAM | 4GB 1600MHz DDR3 SDRAM (2GB*2) Two 204-pin 1600/1333 MHz dual-channel DDR3 SDRAM support up to 16GB | |
| Input Interfaces | I/O Ports & Switch | 2 x USB 2.0 2 x USB 3.2 Gen 1 (5Gb/s) 1 x VGA 1 x DVI-D 1 x HDMI 1 x Mic-in 1 x Line-out 1 x Line-in 2 x Antenna SMA hole (reserved) | 1 x Isolated 18V ~ 36V DC 3-pin terminal block 1 x Power button 1 x PS2 (through Y-type cable supporting KB/MS) 2 x CAN-bus 2.0B, 3-pin terminal block (2.5 kv isolation protection) 1 x DB-9 RS-232 (non-isolated) , 4 x DB-9 RS-232/422/485 (2.5 kv isolation protection) 2 x RJ-45 GbE LAN with teaming support (2KV isolation protection) |
| | Expansion | 2 x Full-size PCIe Mini slot, 1 x iRIS-2400 slot (iRIS remote management module) | |
| | Ethernet Controller | GbE1: Intel® I217LM with Intel® AMT 9.0 support GbE2: Intel® I210-AT PCIe controller | |
| Sensor | Ambient light sensor (0% ~ 100%) | | |
| OSD | Menu, brightness down, brightness up, LCD on/off by cap-sensor (graphics engine: Genesis STDP6038) | | |
| Storage | 2 x 2.5" SSD bay with RAID 0/1 function 1 x Accessible CFast socket | | |
| LED Indicator | Power (power on: green; power off: orange)/storage (red, blinking)/IPMI (blue) | | |
| Power Requirement | Isolated 24V DC (18~31.2 V DC), screw-type 3-pin terminal block | | |
| Operating Temperature | -15°C ~ 55°C (5°F ~ 131°F) | | |
| Storage Temperature | -20°C ~ 60°C (-4°F ~ 140°F) | | |
| Humidity | 5% to 95% RH | | |
| Thermal Design | Fanless | | |
| Watchdog Timer | Supports 1~255 sec. system reset | | |
| Certifications | EMC: CE, FCC Safety: DNV GL CG-0339, IEC 60945 4th, IACS-E10, IEC 61174 IP rating: IP66 compliant front panel and IP22 compliant rear cover | | |
| Housing | Front aluminum sheet metal (Black C) | | |
| Cut-out Dimensions (L x W) | 442 mm x 373 mm | 576 mm x 358 mm | |
| Dimensions (L x W x H) | 463 mm x 394 mm x 113 mm | 592 mm x 374 mm x 113 mm | |
| Net Weight (kg) | 9.91 | 13.03 | |
| Gross Weight (kg) | 13.38 | 17.19 | |
| Vibration and Shock | IEC 60945 / DNV GL CG-0339 / IACS-E10 | | |
| Power Supply (DC Input) | DC Input ATX Power Supply - P/N: 041D710-00-101-RS - 150W power supply - Input: 24V DC, 8-4A (max.) - Output (max.): 12V @13A | | |
| Power Consumption | 112W | 117W | |

Ordering Information

| P/N | Description |
|-------------------------|---|
| S19A-QM87i-i5/PC/4G-R11 | 19" 300cd/m ² SXGA marine panel PC with Intel® Mobile Core™ i5-4400E 2.7GHz CPU, 2*2GB DDR3 RAM, projected capacitive touch screen, isolated 18-36V DC, iRIS-2400 supported, R11 |
| S24A-QM87i-i5/PC/4G-R11 | 24" 300cd/m ² FHD marine panel PC with Intel® Mobile Core™ i5-4400E 2.7GHz CPU, 2*2GB DDR3 RAM, projected capacitive touch screen, isolated 18-36V DC, iRIS-2400 supported, R11 |

Options

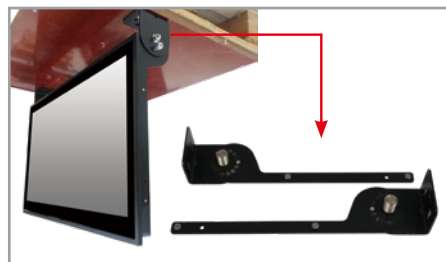
| Item | Part No. | Description |
|-------------------|----------------|---|
| Panel Mount Kit | PK-S19A-R10 | For S19A |
| | PK-S24A-R10 | For S24A |
| Desktop Stand | STAND-S24A-R10 | For S19A & S24A |
| Ceiling Mount Kit | CEILMT-S24-R10 | For S19A/S24A |
| HDMI Lockable Kit | HDMI-LK-R10 | Universal HDMI Locking Adapter |
| iRIS Module | iRIS-2400-R10 | IPMI 2.0 adapter card with AST2400 BMC chip for DDR3 SO-DIMM socket interface |

Packing List

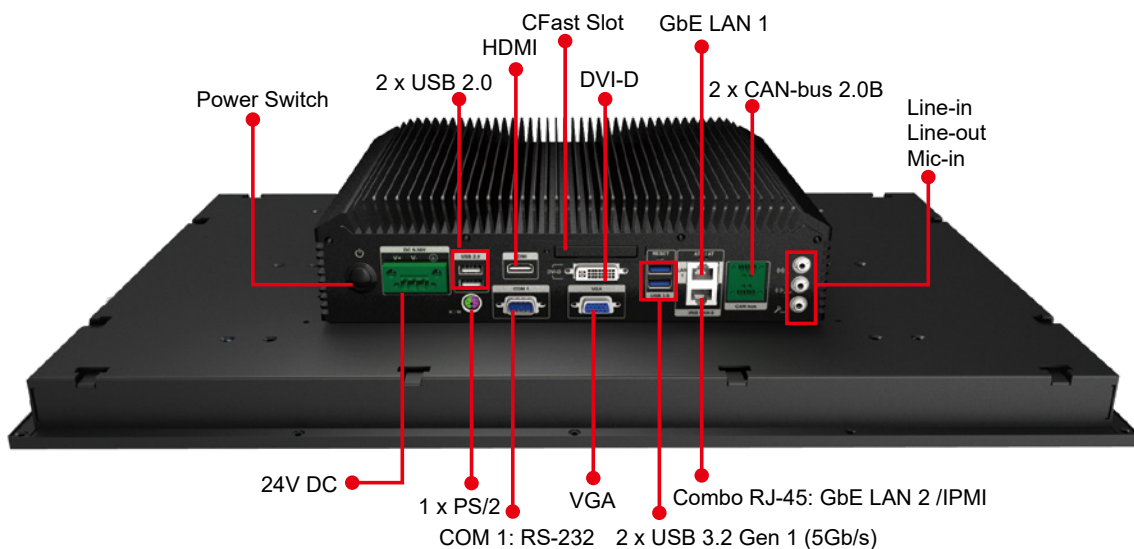
| Item | Q'ty | Remark |
|------------------------|------|----------------------------|
| S19A-QM87 or S24A-QM87 | 1 | |
| Screw Pack | 1 | Including necessary screws |
| PS/2 Cable | 1 | Round cable; PS/2 cable |
| Wire Strain Band | 3 | Wire strain band |



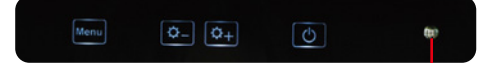
STAND-S24A-R10



CEILMT-S24-R10



Four OSD Keys by Cap-sensor
(Menu, Brightness down, Brightness up, LCD on/off)

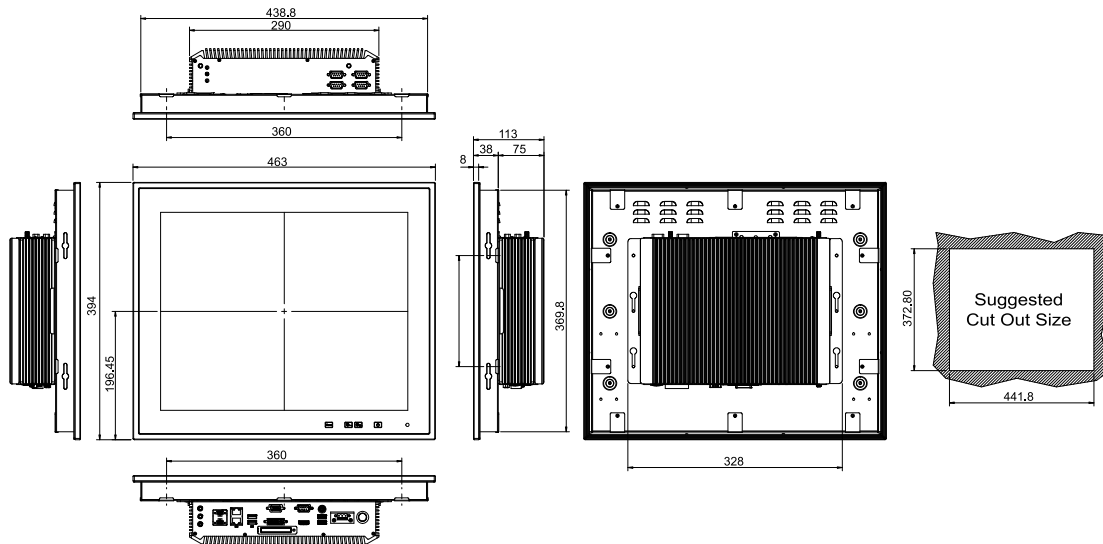


Ambient Light Sensor



S19A-QM87 Dimensions

(Unit: mm)



S24A-QM87 Dimensions

(Unit: mm)

