

# ITA-2111

## Intel® Atom™ E3845 1U Fanless System; EN 50121-4 Compliant for Railway Applications



### Features

- Built-in Intel® Atom™ E3845 quad-core processor, 1.91 GHz
- 4 GB of DDR3 memory onboard
- 1U fanless rackmount system
- 4 x GbE and 10 x RS-232/422/485 ports with isolation design
- 6 x USB 2.0 and 1 x USB 3.0 slots
- 1 x VGA and 1 x DVI-D display outputs
- Compliant with EN 50121-4 for railway applications

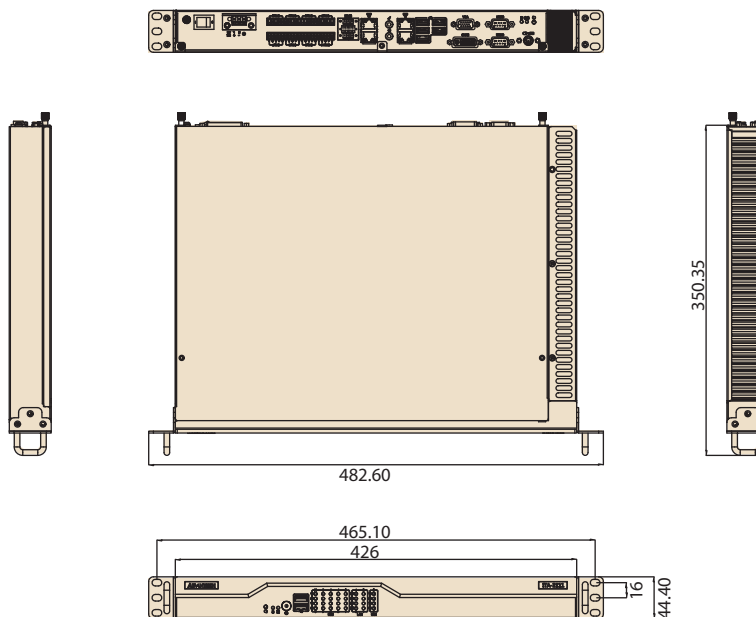


### System Specifications

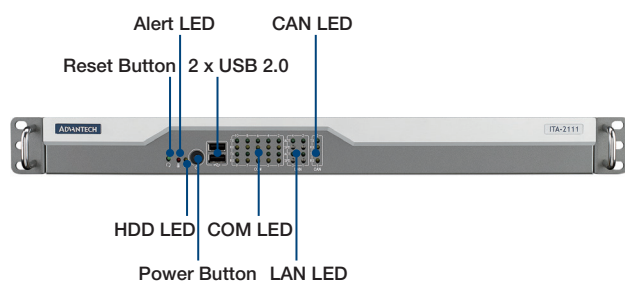
Processor System	CPU	Intel® Atom™ E3845 quad-core processor		
	Max Speed	1.91 GHz		
	L2 Cache	1 MB		
	BIOS	AMI® SPI 64 Mb		
Memory	Technology	Dual-channel DDR3 1333		
	Max. Capacity	Onboard 4 GB (up to 8 GB with SODIMM)		
Graphics	Chipset	Intel® Gen 7 Graphics (542 MHz)		
	VRAM	Shared system memory of up to 256 MB SDRAM		
	Dual Display	1 x VGA and 1 x DVI-D Single channel maximum: 1920 x 1080 @ 60 Hz Dual channel maximum: 1920 x 1080 @ 60 Hz		
Ethernet	Interface	10/100/1000 Mbps		
	Controller	4 x Intel® I210-IT		
	Connector	4 x RJ-45		
Storage	SSD	1 x mSATA socket (optional with SATA2)		
	HDD	1 x 3.5" or 2 x 2.5" HDD bay		
I/O Interface	VGA	1		
	DVI-D	1		
	LAN	4		
	USB	6 x USB 2.0, 1 x USB 3.0		
	Serial	2 x DB9 (RS-232/422/485) and 8 x RS-232/422/485 with 2 x 20-pin terminal block		
	CAN	2		
	PS/2	1		
Expansion Slots	Audio	1 x Speaker-out with 2 x 4W amplifier, 1 x Mic-in		
	PCI104	1		
Power Module	Mini PCIe	1		
	Input Range	100 ~ 240 V <sub>AC</sub> /110 V <sub>DC</sub>		
	Connector	1 x 3-pin terminal block (5.08 mm)		
Watchdog Timer	Wattage (60 °C)	110 W		
	Output	System Reset		
Environment	Interval	Programmable 1 ~ 255 sec/min		
	Temperature	Operating (with SSD)	Operating (with HDD)	Non-Operating
Physical Characteristics		-25 ~ 60 °C	0 ~ 40 °C	-40 ~ 85 °C
	Dimensions (W x H x D)	426 x 44.4 x 326.65 mm (16.77" x 1.75" x 12.86")/482.6 x 44.4 x 350.35 mm (19" x 1.75" x 13.8") with mounting kits		
Certification	EMC	CE/FCC Class A		
	Safety	UL, CB, CCC		
	Compliance	EN 50121-4, Level 4 EMS		

## Dimensions

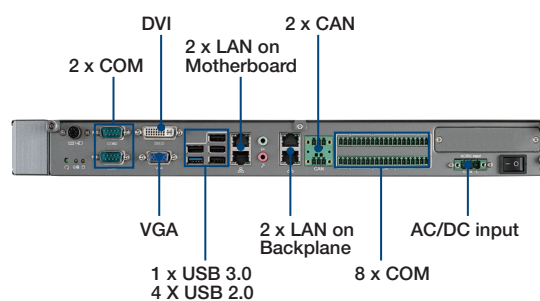
Unit: mm



## Front View



## Rear View



## Packing List

Part Number	Description	Quantity
2001211100	Startup manual	1
2061221100	Driver CD	1
1700020513-01	SATA cable*7P	2
1700017929	SATA power cable*4P	1
1700022322-01	SATA power cable*5P	1
1990001365	HDD rubber	4
1960018229N100	2.5" HDD bracket	2
1656303100	Terminal block*3P	1
1652006700-01	Terminal block*20P	2
1652007247-01	Terminal block*3P	2
1960066407T000	1U rackmount ear	2
1960040525N003	Handle bracket	2

## Ordering Information

Part Number	Description
ITA-2111-00A1E	Intel Atom E3845 CPU, 4G onboard memory, single AC/DC power input, 1U rackmount

## Optional Accessories

Part Number	Description
1700025366-01	Power cable: 3P terminal block -> AC-IN Jack, 10cm