

IKARPC-W10A

Vehicle Computer Series

Features

- 10.1" TFT LCD with projected capacitive touchscreen
- Intel® Atom™ E3826 1.46 GHz CPU
- Windows® Embedded Standard 7
- Optional HSUPA/GPRS/GSM, Wi-Fi and Bluetooth
- Built-in GPS function
- Built-in OBD-II/J1939



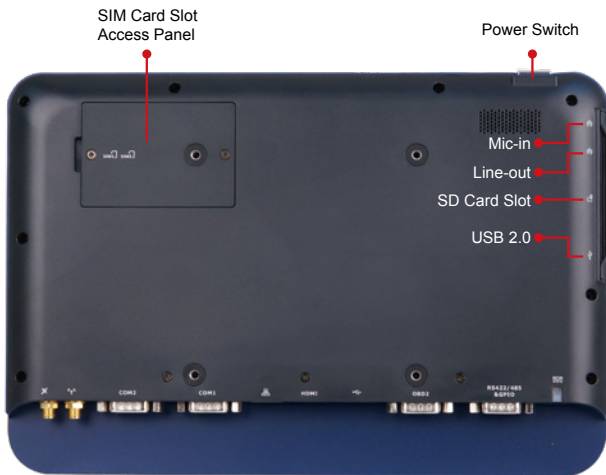
Specifications

Model Name		IKARPC-W10A
Chassis	Color	Blue C + Black C
	Dimensions (WxHxD) (mm)	277 x 186 x 27
	System Fan	Fanless
	Chassis Construction	PC + ABS plastic
Display	Size	10.1"
	Resolution	1280 x 800
	Brightness (cd/m ²)	350
	Contrast Ratio	800:1
	Pixel Pitch (mm)	0.0565 (W) x 0.1695 (H)
	Viewing Angle (H/V)	150° (H)/145° (V)
	Touchscreen	Projected capacitive touch with USB interface, AG coating, anti-UV protection
Motherboard	CPU	Intel® Atom™ processor E3826 (dual-core, 1.46 GHz, 7W)
	Chipset	SoC
	System Memory	1 x 204-pin DDR3L SO-DIMM (pre-installed 2GB DDR3L, system max. 4GB)
Storage	Hard Drive	1 x 2.5" SATA 3Gb/s HDD/SSD drive bay
	SD Card	1 x SD slot (supports SD 2.0, max. 32 GB)
Communication	WLAN	PCIe Mini Wi-Fi 802.11a/b/g/n/ac (optional)
	Bluetooth	BT 4.0/3.0+HS (combo with optional WLAN module)
	WWAN	PCIe Mini WCDMA/HSDPA/HSUPA (optional)
	GPS	On-board GPS
I/O Interfaces	USB 3.2 Gen 1	1
	USB 2.0	1
	Ethernet	1 x RJ-45 PCIe GbE by Realtek 8111E
	COM Port	2 x DB-9 RS-232
	Digital I/O	8-bit digital I/O (4-bit input / 4-bit output)
	CAN-bus/OBD-II	1 x DB9 OBD-II/J1939
	Display	1 x HDMI
	Resolution	HDMI: Up to 1920 x 1080 @ 60 Hz
	Audio	1 x Line out, 1 x Mic in
	SIM	2 x On-board SIM card slot
Expansions	Antenna	1 x GPS, 1 x WWAN
	PCIe Mini	1 x Full-size (reserved for WWAN module), 1 x Full-size (reserved for WLAN module)
Multimedia	Audio	1 x Speaker (2 W)
	Camera	2-megapixel CMOS
LED Indicator & Button	Indicator	Power/Wi-Fi/HDD/3.5G
	Button	1 x Power button
Power	Power Input	Cigarette lighter power cable, DC 9 V~30 V
	Consumption	12 V @ 1.73 A
Reliability	Mounting	VESA 100
	Operating Temperature	-10°C ~ 60°C with air flow
	Storage Temperature	-20°C ~ 70°C
	Humidity	10% ~ 95%, non-condensing
	Operating Shock	Half-sine wave shock 5G, 11ms, 3 shocks per axis
	Operating Vibration	MIL-STD-810F 514.5C-2 (with SSD)
	Weight (Net/Gross)	1.3 kg/2.8 kg
OS	Safety/EMC	CE/FCC/E-Mark/IP 64 compliant front panel
	Supported OS	Microsoft® Windows® Embedded 8, Microsoft® Windows® Embedded Standard 7 E

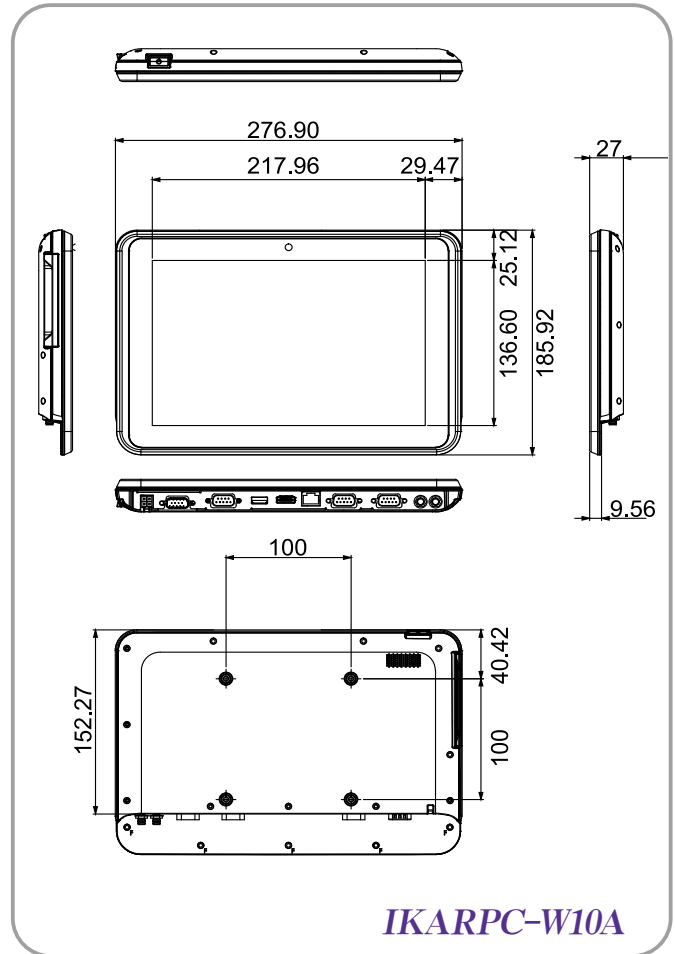
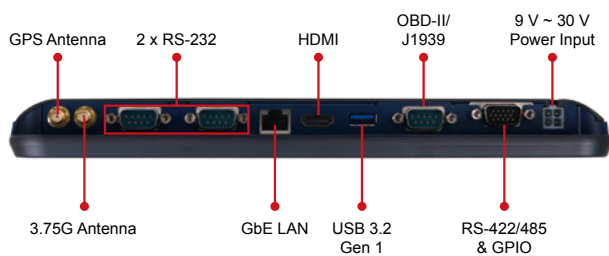
Fully Integrated I/O

Dimensions (Unit: mm)

Rear view



Bottom view



Ordering Information

Part No.	Description
IKARPC-W10A-BT-E3/2G-R11	10.1" 350 cd/m2 1280 x 800, in-vehicle panel PC with Intel® Atom E3826 1.46GHz, 7W TDP, 2GB DDR3L on-board memory, OBD-II, on-board GPS, 2-megapixel camera, R11

Options

Item	Part No.	Description
Power adapter	IVIPOWER-4PIN-R10	Power adapter with 4-pin transfer cable, RoHS
Cigarette lighter power cable	32002-004000-100-RS	Round cable, power cable, car cigarette lighter cable, 2000 mm, 18 AWG, (A) cigarette lighter (5 A 250 V)+ ψ3 green LED, (B) MOLEX 5557-0400 P=4.2, RoHS
OBD-II cable	32025-003400-100-RS	Round cable, OBD-II cable, 2000 mm, 24 AWG, (A) OBD-II 16P male, (B) D-sub 9P female, one piece package with label, RoHS
OS: Windows Embedded 7 (DVD-ROM)	IKARPC-W10A-BT-WES7P-R10	OS image with Windows® Embedded Standard 7 E for IKARPC-W10A-BT Series, DVD-ROM, RoHS
OS: Windows Embedded 8 (DVD-ROM)	IKARPC-W10A-WE8S-R10	OS image with Windows® Embedded Standard 8 E for IKARPC-W10A Series, WE8S license label, DVD-ROM, RoHS
Wireless kit	IKARPC-WIFI-KIT02-R10	1T1R wifi module kit for embedded system, IEEE802.11a/b/g/n/ac WiFi with Bluetooth 4.0/3.0+HS, 1 x wifi module, RoHS
WWAN kit	IKARPC-3G-KIT02-R10	F260 3.75G module kit for embedded system, with BT V2.1, RoHS
VESA mount stand	IVI-MK02-R10	286mm 75x75 / 100x100 VESA mount stand

Packing List

Item	Part No.	Qty	Description
Power Cable w/ core	32002-001900-100-RS	1	Round cable, power cable, 3000mm, RoHS
	30600-000056-RS	1	Cable Core 13φ, 33x31.5x33mm, RoHS
GPS/GSM Antenna	32506-000100-100-RS	1	Integration antenna, GPS/GSM, RG 174, 5000mm/5000mm, PPF-5423SA5X-999, Magnetic mount: φ55x22mm, 1575.42MHz/850MHz/900MHz/1800MHz/1900MHz, SMA plug x 2