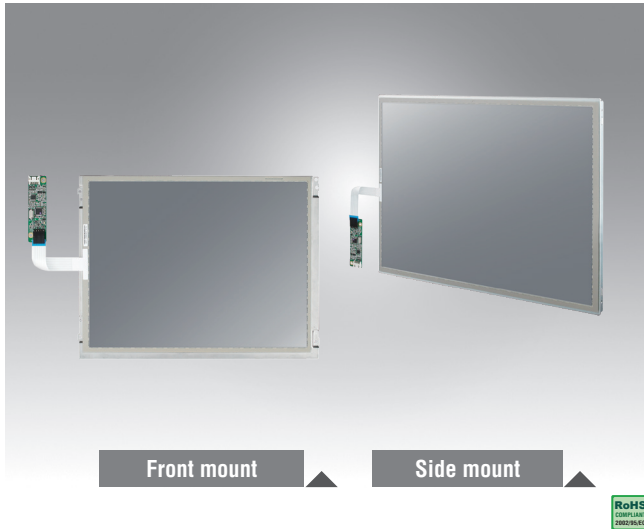


# IDK-121R/1112R

## 12.1" XGA Industrial Display kit with Touch Solution



### Features

- 12.1" LCD supports 800 x 600 / 1024 x 768 pixels and wide operating temperature (-20 ~ 70° C)
- Brightness over 450 cd/m<sup>2</sup> with LED backlight
- 5-wire resistive touch solution
- High contrast ratio
- LVDS signal interface
- Low power consumption
- LED driver board built in
- Touch controller included (USB)
- Anti-Reflection surface treatment (optional)
- Optical bonding (optional)

### Introduction

The Advantech IDK-121R/1112R series comes with a 12.1" industrial grade LCD display with 5-wire resistive touch. The series is also available with flexible options for LCD screens enhanced treatment such as Anti-Reflection surface treatment and optical bonding solution. IDK-121R/1112R series supports 5-wire resistive touch with low power. IDK-121R/1112R series is ideal for embedded applications which customers have maximum flexibility for mechanical design.

### Specifications

		IDK-1112R-45SVA1E	IDK-121R-42XGA1	IDK-1112R-50XGA1
LCD Panel	Display Size	12.1", 4:3	12.1", 4:3	12.1", 4:3
	Resolution	800 x 600	1024 x 768	1024 x 768
	Display Mode	Normally white	Normally white	Normally black (IPS like)
	Viewing Angle (U/D/L/R)	65° / 75° / 80° / 80°	80° / 80° / 80° / 80°	89° / 89° / 89° / 89°
	Brightness (cd/m <sup>2</sup> )	450	500	500
	Backlight Life (hrs)	50,000	50,000	30,000
	Contrast Ratio	700:1	700 : 1	1000 : 1
	Response Time (ms)	35	35	25
	Colors	6 bit (262 K)/8 bit (16.2 M)	6 bit (262 K)/8 bit (16.2 M)	6 bit (262 K)/8 bit (16.2 M)
	LCD Input Voltage	3.3 V	3.3 V	3.3 V
	Consumption	4.9W (Black pattern)	9.15 W (Black pattern)	9.62W (White pattern)
	Signal Interface	1 channel LVDS	1 channel LVDS	1 channel LVDS
	Weight	580 g	740 g	490 g
	Dimensions (W x H x D)	276 x 209 x 9.0 mm	261.8 x 199.8 x 9.0 (Max.) mm	260.5 x 204 x 8.4 mm
Mounting	Front mount	Front mount	Side mount	
Backlight Input Voltage	12V	12V	12V	
Touch Screen	Touch Screen	5-wire Resistive	5-wire Resistive	5-wire Resistive
	Transparency	80± 2%	80± 2%	80± 2%
	Surface Hardness	3H	3H	3H
	Durability	10 million times	10 million times	10 million times
Environment	Operating Temperature	-20 ~ 70 °C	-20 ~ 70 °C	-20 ~ 70 °C
	Storage Temperature	-30 ~ 80 °C	-30 ~ 80 °C	-30 ~ 80 °C

### Ordering Information

Part No.	Size	Brightness (cd/m <sup>2</sup> )	Interface	Touch screen	Touch Interface
IDK-1112R-45SVA1E	12.1"	450	LVDS	5-wire Resistive	USB
IDK-121R-42XGA1	12.1"	500	LVDS	5-wire Resistive	USB
IDK-1112R-50XGA1	12.1"	500	LVDS	5-wire Resistive	USB

### Packing List

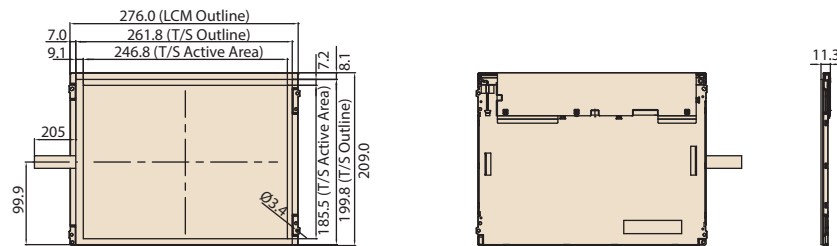
IDK Part No.	Accessory Part No.	Description
IDK-1112R-45SVA1E	ETM-RES04C-EEH4EE	1 x 5-wire USB Touch controller
	1700020324-01	1x USB Touch cable 5P-2.0/USB-A (M) 180CM
IDK-121R-42XGA1	96TS-CTR-5WRC01	1 x 5-wire USB Touch controller
	96CB-TS50-C01	1x USB Touch cable 5P-2.0/USB-A (M) 180CM
IDK-1112R-50XGA1	ETM-RES04C-EEH4EE	1 x 5-wire USB Touch controller
	1700020324-01	1x USB Touch cable 5P-2.0/USB-A (M) 180CM

Note: Package contents are subject to change without prior notice.

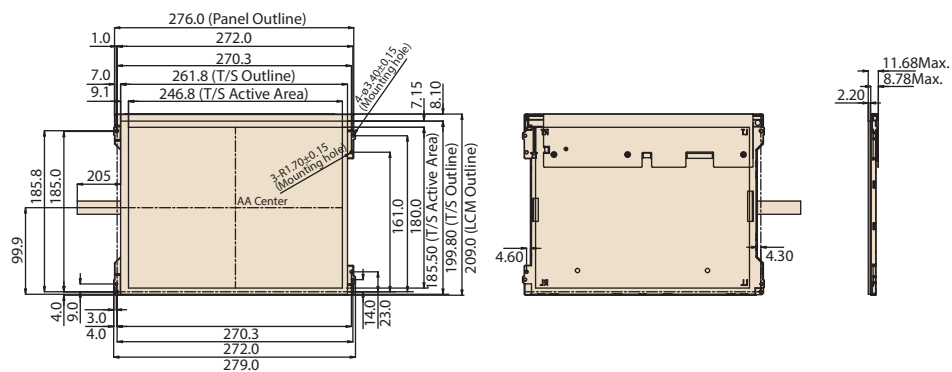
## Dimensions

Unit: mm

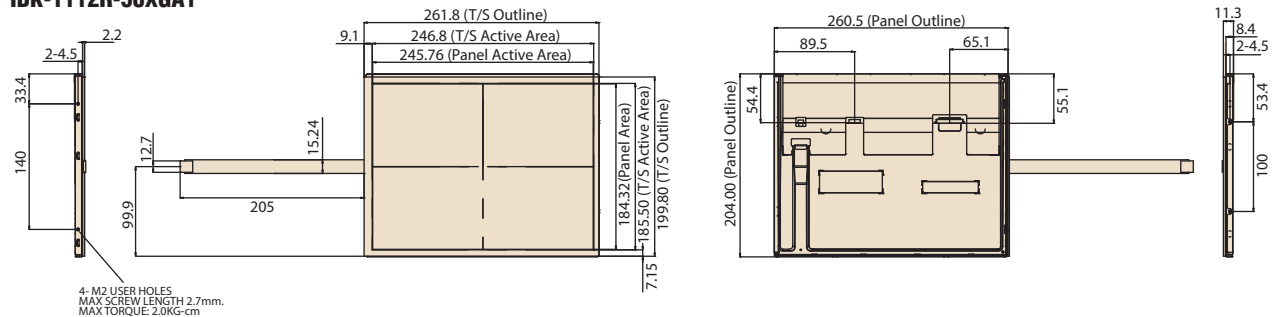
### IDK-1112R-45SVA1E



### IDK-121R-42XGA1



### IDK-1112R-50XGA1



## Optional Order

### IDK-1112R-45SVA1E

SBC Part No.	LVDS cable P/N	Display interface	B/L cable P/N	Touch interface	Touch power input
MIO-5270	96CB-L2040PAE4	18bit LVDS	96CB-E0505PAC3	USB	5V
PCM-9362	96CB-L2020PAE2	18bit LVDS	96CB-E0505PAC3	USB	5V
AIMB-270	96CB-L2040PAE4	18bit LVDS	96CB-E0505PAC3	USB	5V

### IDK-121R-42XGA1

SBC Part No.	LVDS cable P/N	Display interface	B/L cable P/N	Touch interface	Touch power input
MIO-5272	96CB-L2040PAE4	18bit LVDS	96CB-E0505PAC3	USB	5V
PCM-9362	96CB-L2020PAE2	18bit LVDS	96CB-E0505PAC3	USB	5V
AIMB-270	96CB-L2040PAE4	18bit LVDS	96CB-E0505PAC3	USB	5V

### IDK-1112R-50XGA1

SBC Part No.	LVDS cable P/N	Display interface	B/L cable P/N	Touch interface	Touch power input
MIO-5272	96CB-L2040PCC4	18bit LVDS	96CB-E1005PCB3	USB	5 V
AIMB-270	96CB-L2040PCC4	18bit LVDS	96CB-E1005PCB3	USB	5 V

For more compatible embedded board solution, please visit our Build Your display web page as bellow  
<http://www.advantech.com/buildyourdisplay>