

PAX-332 4K

32" 4K Surgical Monitor



Features

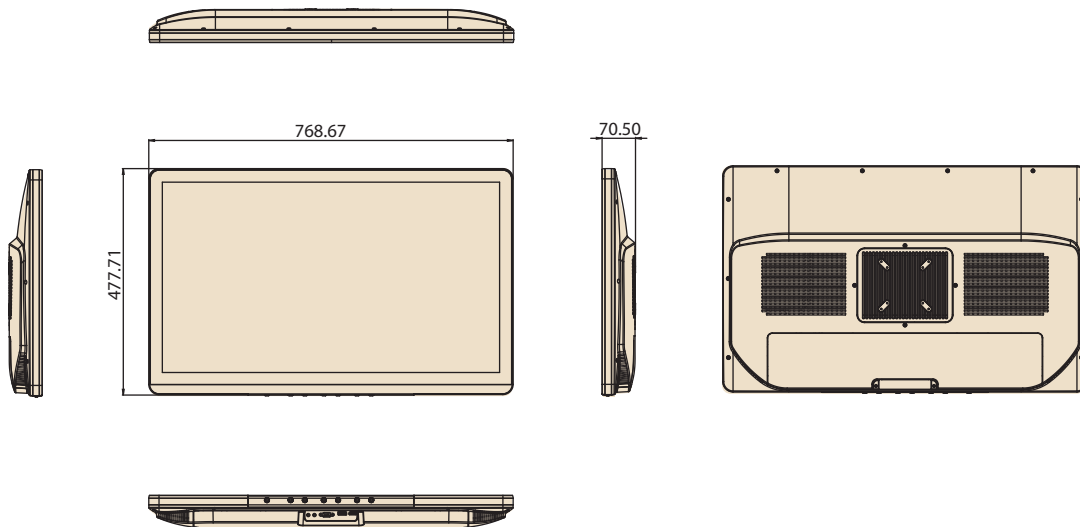
- True Flat Design with AR Filter
- High Brightness and High Contrast Ratio
- 4K UHD Resolution (3840 x 2160)
- HDMI 2.0, DP 1.2 Support Up to 3840 x 2160 @ 60 Hz
- SDI Support Up to 3840 x 2160 @ 60 Hz (4K SDI 3G x 4)
- DVI Support Up to 1920 x 1080 @ 60 Hz
- Video Enhancement features including:
 - 14-bit LUT processing
 - DICOM Part 14 GSDF Compliant
 - DICOM, Clear, Blue modes support
- Optional upgrade to IP-based monitor with AVAS

Specifications

LCD	Screen Size	32" (708.48 x 398.52 mm)	
	Resolution	3840 x 2160	
	Aspect Ratio	16 : 9	
	Pixel Pitch	0.1845 x 0.1845 mm	
	Viewing Angle	178° / 178°	
	Contrast Ratio (Typ.)	1,000 : 1	
	Native Luminance (Typ.)	700 cd/m ²	
	Color Depth	10-bit 1.07B Colors	
	Display Mode	AHVA	
Response Time	18ms (Tr+Tf)		
Input	DP 1.2 Input	DP Jack x 1	DisplayPort 1.2, 3840 x 2160 @ 60 Hz max.
	HDMI 2.0 Input	HDMI Jack x 1 (Type A)	Digital RGB: TMDS, 3840 x 2160 @ 60 Hz max.
	DVI Input	DVI Jack x 1 (Type D)	Digital RGB: TMDS, 1920 x 1080 @ 60 Hz max.
	SDI Input	BNC Jack x 4	Serial Input Common Mode: 2.2 Vp-p (75 Ω) 4K 3G SDI x 4
	USB Up	USB-B Jack x 1	For Optional Touchscreen
	RS-232C	D-Sub Jack x 1	Service Port
Optional Input	AVAS NDcoder	SPF+ Module x 1 LAN RJ-45 Jack x 1	PAX-332-C8F-HAS
Output	DP 1.2 Output	DP Jack x 1	DisplayPort 1.2 MST or Daisy chain
	HDMI 2.0 Output	HDMI Jack x 1 (Type A)	Digital RGB: TMDS, 3840 x 2160 @ 60 Hz max.
	DVI Output	DVI Jack x 1 (Type D)	Digital RGB: TMDS, 1920 x 1080 @ 60 Hz max.
	SDI Output	BNC Jack x 4	Serial Input Common Mode: 2.2 Vp-p (75 Ω) 4K 3G SDI x 4
	DC Power Output	DC Jack x 1	DC 5 V or DC 12 V
Environment	Temperature	Operational	0 ~ 40 °C
		Storage	-20 ~ 60 °C
	Humidity	Operational	Ta = 40 °C, 90% RH non-condensed
		Storage	5 ~ 90%
Pressure	Operational	500 hPa to 1013 hPa	
	Storage	500 hPa to 1013 hPa	
Power	Rating	DC 24V 10.41A Max.	
	Consumption (Typ.)	168.5W (max.)	
Physical Characteristics	IP Ratings	Front IP65 / Top IPX1	
	VESA Mount	100 x 100; 75 x 75 mm	
	Dimension (W x D x H)	768.67 x 70.50 x 477.71 mm	
	Weight	13.26 kg max.	
Certifications	CE-EMC, FCC, VCCI, CE MDD		
Warranty	3 Years		

Dimensions

Unit: mm



Ordering Information

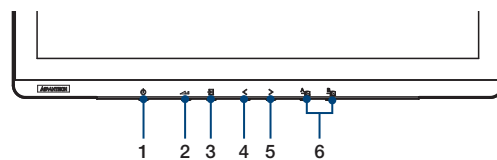
Part Number	Brightness	SDI Output	Optional	Touchscreen	Weight	Power Consumption (Typ.)
PAX-332-C8A-HAS	700 cd/m ²	-	-	-	12.42 kg	136.8W
PAX-332-C8D-HAS	700 cd/m ²	4K 3G x 4	-	-	12.88 kg	144.5W
PAX-332-C8F-HAS	700 cd/m ²	4K 3G x 4	AVAS	-	13.26 kg	168.5W

Optional Items

Power Cord

Part Number	Description
1702002605	Power Cord (Europe) 1.8 M
1702002600	Power Cord (USA) 1.8 M
1700018704	Power Cord (UK) 1.8 M

Front Function Keys



1. POWER button/indicator
2. ENTER/MENU button
3. EXIT/INPUT button
4. LEFT button
5. RIGHT button
6. PiP INPUT select buttons
 - A. Main input
 - B. Sub input