

Patient Infotainment Terminal

Patient Infotainment Terminal datasheet



Features

- Patient's information
- Health education and medical information
- Internet
- Service request
- Satisfaction survey

Introduction

The PIT is mainly based on the patient's situation as a starting point, so that the patient can easily feedback their needs ; provide Internet services, health education information, promotional videos, medication information and medical care team, provide patients with rich information and convenient services

Key Functions

Main

Display patient information, play videos, and kinds of service buttons.



Medicine information

Display the medicine name, picture or introduction, if need more details, skip to the hospital medication web page



Treatment plan

A summary of the scheduled itinerary such as the examination plan and surgery plan can be displayed, including the name of the treatment item and the scheduled date / time



Vital sign

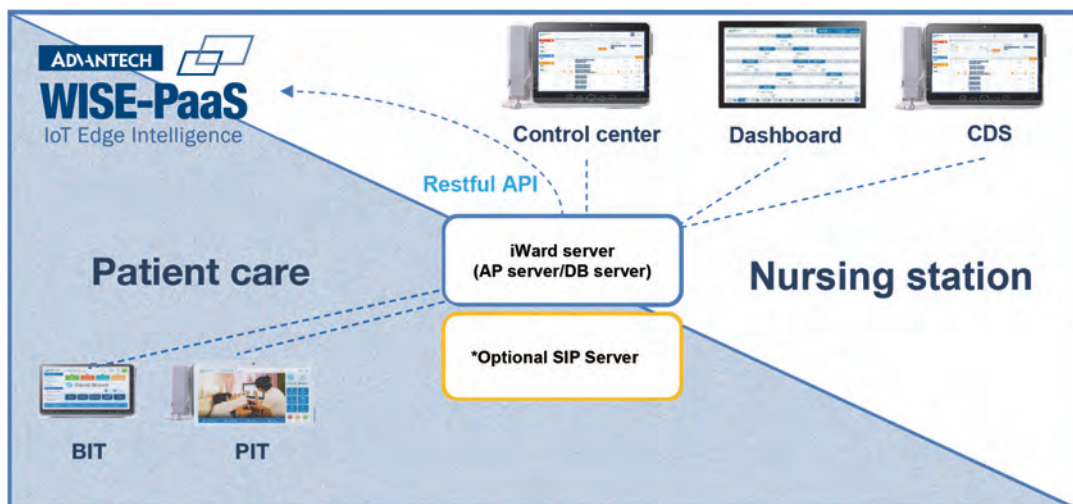
Nursing staff can manually enter patient temperature, blood pressure and blood glucose data



Specifications

Service	Function	Description
Information	Weather	Display the current weather information
	Tempure	Display the current tempure
	Date/Time	Display the current date and time
	Screen on/off	Switch the screen on/off
	Main	Switch to "Main" page
	Language	Switch language
Service	Nursing care request	Provide sevrsl nursing services' buttons Click the button will display a confirm message. Choose"YES"will push the message to Nurse app and Control station Choose"NO"will close the window.
	Calling function Optional (SIP server +SIP client)	Provide nursing call service Click the button will display a confirm message. Choose"YES"the call will dial to nursing staff, if the call missed , not log in or in a call, system will transfer to nurse control center. Choose"NO"will close the window.
Patient information	Basic inforamtion	Display basic patient information display, including patient name, birthday, age, medical record number, bed number, hospitalization date, date of birth, gender, department, communication language.
	Special remark	Display the special remark
	Medical team	Show three medical team members, name and title of medical staff
	Video	Show hospital related promotional videos (limited to one)
	Reminder	Show the reminder.
Function	Medical team	Display of medical staff photos, names and titles.
	Treatment plan	A summary of the scheduled itinerary such as the examination plan and surgery plan can be displayed, including the name of the treatment item and the scheduled date / time
	Notification	Display relative information (video, picture, PDF)
	Environment info.	Display relative information (video, picture, PDF)
	Life info.	Display relative information (video, picture, PDF)
	Education info.	Display relative information (video, picture, PDF)
	Medicine info.	Display the medicine name, picture or introduction, if need more details, skip to the hospital medication web page
Satisfaction	Provides five options, including: very satisfied, satisfied, normal, dissatisfied, very dissatisfied	
Medical functions (Identification-by ID card)	Request list	Display the list of patient needs notifications, and the nurse staff can cancel the notification
	Vital sign	Nursing staff can manually enter patient temperature, blood pressure and blood glucose data
	Signal open	Only can open one signal program.
Other	Version	There are two display modes, stand-alone display and online service. It can be switched manually, and the stand-alone mode is displayed in JSON or XML format. Online services must be connected to the server to display data after entering service settings. If the online service is disconnected, a disconnection prompt is displayed on the screen, and trying to reconnect. The default mode is online mode.
	Version info.	When you click Logo, the version number and version update time will be displayed in the window.
	Update	If there is a new version of the software, it will automatically check for updates

iWard Architecture



Minimum Requirement

*iWard AP Server	
Hardware	CPU 4 core RAM 8G Up HD C:250G D:250G
Software	OS: Windows Service 2012R up .Net Framework 4.5.2 Up .Net Core 2.2 Up IIS 8.5+
*iWard SIP Server	
Hardware	CPU 4 core RAM 4G Up HD C:250G D:250G
Software	OS: CentOS7+
*iWard DB Server	
Hardware	CPU 4core RAM 8G Up HD C:250G D:250G
Software	OS: Windows Service 2012R up MSSQL Service 2014 up

Ordering Information

Product Name	Product Number	Description
iWard Control Center	31ASIWSVMSSE0	iWard Server License for 500 clients
iWard Control Center	31ASIWSVMS20E0	iWard Server License for 200 clients
iWard Control Center	31ASIWSVMS10E0	iWard Server License for 100 clients
iWard Control Center	31ASIWSVMS01E0	iWard Server License for 10 clients
Patient Information Terminal - SRP 18"	HIT-W183HWPW-S1E-C	18.3" HIT-W183AP-AMW1E/ PIT Client APP
Patient Information Terminal - SRP 15"	HIT-W153HWPW-S1E-C	15.3" HIT-W153AP-AMW1E/ PIT Client APP

*Optional

Product Name	Product Number	Description
Patient Call Service	31ASCMSVLXSDE0	Patient Call SIP Server License for 500 clients
Patient Call Service	31ASCMSVLXSDE0	Patient Call SIP Server License for 200 clients
Patient Call Service	31ASCMSVLXSDE0	Patient Call SIP Server License for 100 clients
Patient Call Service	31ASCMSVLXSDE0	Patient Call SIP Server License for 10 clients

Optional Accessories

Product Name	Product Number	Description
Power Cord	1702002600	Power Cord UL 3P 10A 125V 183cm
Handset Kit	HIT-W183-HSK0E	Handset Kit of HIT-W183

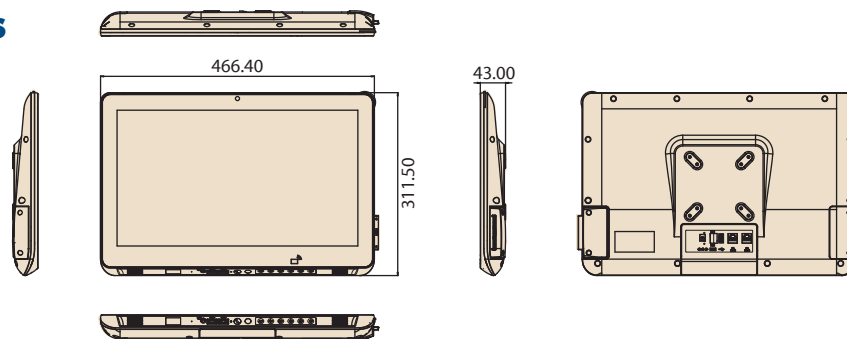
HIT-W183



Features

- Innovative and ultra-slim design for healthcare and hospitality applications
- All-in-one computer with Intel® Apollo Lake N4200 CPU
- True-flat touch screen for easy cleaning
- Supports dual OS-Win 10 IoT 64 bit/Android 6.0.1
- Supports M.2 2230 WiFi / BT modules and M.2 2242 SSDs
- Supports RFID/NFC/Web Camera/Smart Card Reader
- Dual isolated Ethernet – Internet (for patients) and intranet (for hospitals) network traffic management and data security
- Supports nurse call button & LED indicator
- Rich optional peripherals – Handset / TV Tuner(SMA Jack)/2nd Smart Card Reader, Barcode Scanner, RFID+HID
- Medical and ITE dual certification (EN 60601-1 & IEC 62368) to provide complete application coverage

Dimensions



Unit: mm