

Nursing Central Dashboard

Nursing Central Dashboard Datasheet

Features

- Overview of dashboard information at each station
- Patient / bed information by station
- Various statistical reports, historical records query, audit ward performance
- 3rd party APPs integration



Introduction

Provide supervision / superior executives / electronic whiteboard information summary of each station, can grasp the information of each station, and can use SIP communication with the console of each nursing station for direct communication. From a management perspective, it can communicate with the nursing station in real time, and can quickly adjust if there is a problem. In addition, the integration of CDS also provides a good springboard for subsequent data application platforms.

Key Functions

Main

Four grids display nursing schedule, surgical schedule, examination schedule, clinical path, or can adjust the common information board

3rd party APPs integration

Can integrate 3rd party system, such as integrated RTLS real-time positioning system

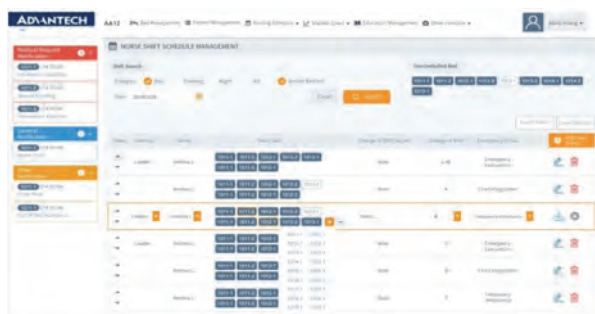


Nursing schedule

Display nursing schedule information for the selected nursing station

Examination information

Display the details of the Examination schedule of the nursing station by the selected nursing station

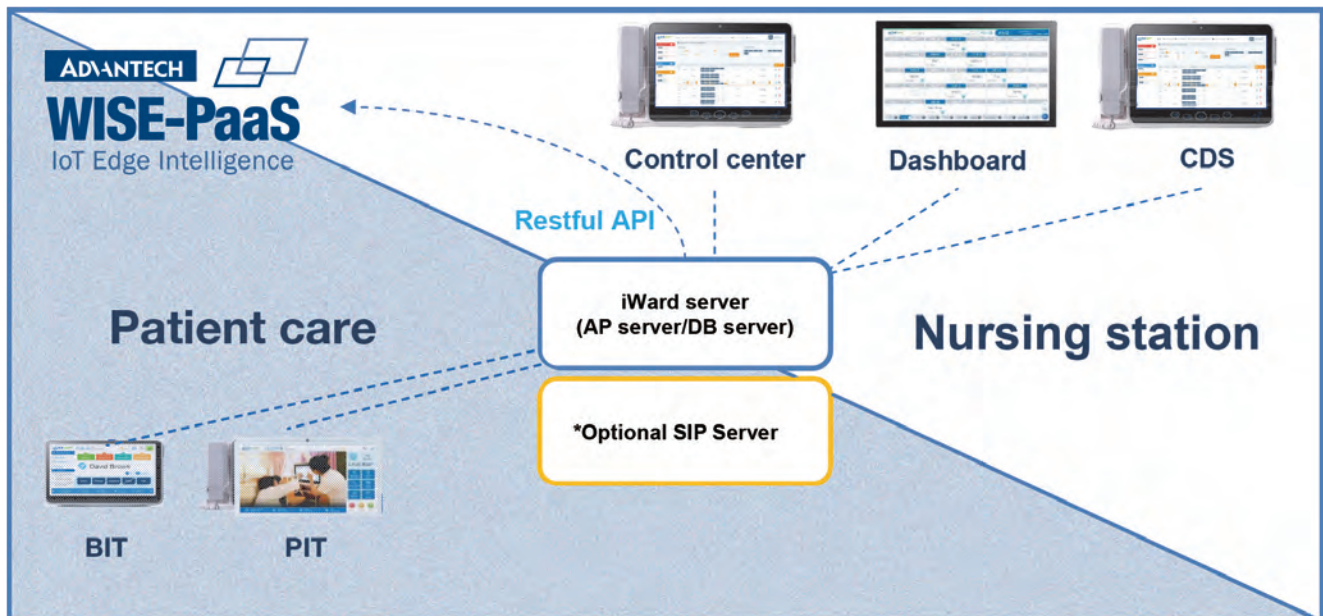


Name	Job Title	Name	Job Title
Visiting Doctor	Wendy Li	Visiting Doctor	Wendy Li
Physical Therapist	Alan Young	Physical Therapist	Alan Young
Social Worker	James Hudson	Social Worker	James Hudson
Nutritionist	Zanele Wilson	Nutritionist	Zanele Wilson
Pharmacist	Patricia Brown	Pharmacist	Patricia Brown
Infection Control Physician	Rosemary Harris	Infection Control Physician	Rosemary Harris
Visiting Doctor	Ally Miller	Visiting Doctor	Ally Miller
Physical Therapist	Zanele Wilson	Physical Therapist	Zanele Wilson
Social Worker	Anna Gordon	Social Worker	Anna Gordon
Nutritionist	Thomas Ward	Nutritionist	Thomas Ward
Pharmacist	Ally Miller	Pharmacist	Ally Miller
Infection Control Physician	Ally Miller	Infection Control Physician	Ally Miller

Specifications

Service	Function	Description
IDVerification	Login verification	Enter account password or card login to verify user identity, and restrict permission display function.
Information	Weather	Display the current weather information
	Tempure	Display the current tempture
	Date/Time	Display the current date and time
	Nurse station number	Display the nurse station number
	Language	Switch language
Bed information	Bed information	Different colors show different genders, male patients are light blue, and female patients are pink. Provide patient name hidden code processing to protect patient privacy. When the patient has a care needs notification item, a reminder pattern is displayed. Bed status display: no patient is gray design style.
	Patient details	Click on the bed information. When there is a patient, this function will pop up. Display individual patient's bed number, patient name, medical record number, birthday, attending physician, responsible nurse name, special notes, diagnosis content, etc. Display the patient's vital sign. Show list of patient care needs notifications.
	Filter function	Quickly screen patients with special remarks When the quick filter is clicked, the bed information will light up in different colors; when the quick filter is cancelled, the bed information will be displayed in a normal color state
Information	Device status	Display the device status
	Contact information	Show the contact information of the nursing station medical team and related members of the nursing station
	RTLS	Integrate with RTLS
	Nursing Station Information	Show the number of beds in the ward area, the number of empty beds, special notes, and the floor plan of the ward
	Patient overview	Display a list of all patients in the ward, including bed status, basic patient information, special notes, etc. Quickly screen out patients with special notes. When you click the quick sieve, the bed information will light up in different colors; when you cancel the quick sieve, the bed information will be displayed in the normal color state
	Nursing Station Communication	Can receive calls from the ward and calls from the nursing app
Menu function	Home	Dashboard display with four grids
	Announcement message	Display the announcement message
	Nursing care notificaiton	Display the nursing care notification
	Device status	Display the device status
	Sub function	Click the submenu button will show the list of sub functions
	On/off switch	Button of on/ff
Other	Version info.	When you click Logo, the version number and version update time will be displayed in the window.

iWard Architecture



Minimum Requirement

Nursing Central Dashboard	
Hardware	Windows 7+ CPU 2 Core RAM 4G+
Software	Web browser that supports Microsoft Internet Explorer IE11+ / Edge / Google Chrome 50+
*iWard AP Server	
Hardware	CPU 4 core RAM 8G Up HD C:250G D:250G
Software	OS: Windows Service 2012R up .Net Framework 4.5.2 Up .Net Core 2.2 Up IIS 8.5+
*iWard SIP Server	
Hardware	CPU 4 core RAM 4G Up HD C:250G D:250G
Software	OS: CentOS7+
*iWard DB Server	
Hardware	CPU 4core RAM 8G Up HD C:250G D:250G
Software	OS: Windows Service 2012R up MSSQL Service 2014 up

Ordering Information

Product Name	Product Number	Description
iWard Control Center	31ASIWSVMSSDE0	iWard Server License for 500 clients
iWard Control Center	31ASIWSVMS20E0	iWard Server License for 200 clients
iWard Control Center	31ASIWSVMS10E0	iWard Server License for 100 clients
iWard Control Center	31ASIWSVMS01E0	iWard Server License for 10 clients
iWard CDS client sw	31ASCDCSMSSDD0	iWard Central Dashboard Client License per device
iWard CDS client SRP	HIT-W183HCDW-S1E-C	18.3" HIT-W183AP-AMW1E + iWard Central Dashboard Client License per device

*Option

Product Name	Product Number	Description
Patient Call Service	31ASCMSVLXSDE0	Patient Call SIP Server License for 500 clients
Patient Call Service	31ASCMSVLXSDE0	Patient Call SIP Server License for 200 clients
Patient Call Service	31ASCMSVLXSDE0	Patient Call SIP Server License for 100 clients
Patient Call Service	31ASCMSVLXSDE0	Patient Call SIP Server License for 10 clients

Optional Accessories

Product Name	Product Number	Description
Power Cord	1702002600	Power Cord UL 3P 10A 125V 183cm
Handset Kit	HIT-W183-HSK0E	Handset Kit of HIT-W183

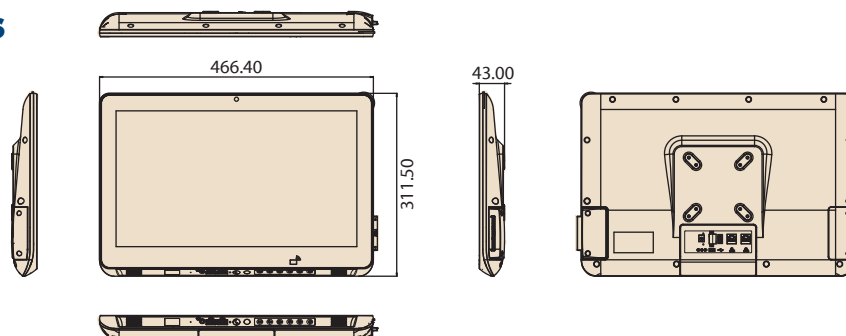
HIT-W183



Features

- Innovative and ultra-slim design for healthcare and hospitality applications
- All-in-one computer with Intel® Apollo Lake N4200 CPU
- True-flat touch screen for easy cleaning
- Supports dual OS-Win 10 IoT 64 bit/Android 6.0.1
- Supports M.2 2230 WiFi / BT modules and M.2 2242 SSDs
- Supports RFID/NFC/Web Camera/Smart Card Reader
- Dual isolated Ethernet – Internet (for patients) and intranet (for hospitals) network traffic management and data security
- Supports nurse call button & LED indicator
- Rich optional peripherals – Handset / TV Tuner(SMA Jack)/2nd Smart Card Reader, Barcode Scanner, RFID+HID
- Medical and ITE dual certification (EN 60601-1 & IEC 62368) to provide complete application coverage

Dimensions



Unit: mm