

ICE-9NKY-RJA ICE-9NKY-M12A

Automatic backup and restore
configuration tool for managed switches



CE FCC

Features

- RS-232 RJ45/M12 console ports connection
- Plug and play, quickly backup and restore configuration
- Reduce system down time without extra power input
- Easy and convenient way to reload system configuration
- Support Advantech's managed Ethernet switches

Introduction

Advantech N-Key series is designed to enhance managed switch maintenance efficiency and reduce system downtime. Plug and play to save/load the setup configuration of Advantech's managed switches through the RS-232 console ports without any additional setting required. It greatly simplifies network deploying/maintaining/repairing processes for IT/OT technicians and saves a lot of time and cost.

Specifications

Interface

- **I/O Port** ICE-9NKY-RJA: RJ45 port
ICE-9NKY-M12A: M12 5pin A-Coded

Physical

- **Enclosure** PVC Molding
- **Protection Class** IP40
- **Dimensions (W x H x D)** 30 x 14 x 90 mm (1.181" x 0.551" x 4.134")

Environment

- **Operating Temperature** 0 ~ 60°C (32 ~ 140°F)
- **Storage Temperature** -40 ~ 70°C (-40 ~ 158°F)
- **Ambient Relative Humidity** 5 ~ 95% (non-condensing)
- **Humidity** 5 ~ 95% (non-condensing)

Power

- **Power Input** 3 ~ 5 V_{DC} (through console port)

Certification

- **EMI** CE, FCC Class A
- **EMS** EN 61000-4-2
EN 61000-4-3
EN 61000-4-4
EN 61000-4-5
EN 61000-4-6
- **Patent** <http://www.advantech.com/legal/patent>

Support List

ICE-9NKY-RJA

- EKI-7706 Series
- EKI-7708 Series
- EKI-7712 Series
- EKI-7716 Series
- EKI-7720 Series
- EKI-7428G-4CPI Series
- EKI-7428G-4CI Series

ICE-9NKY-M12A

- EKI-9508 Series
- EKI-9610 Series

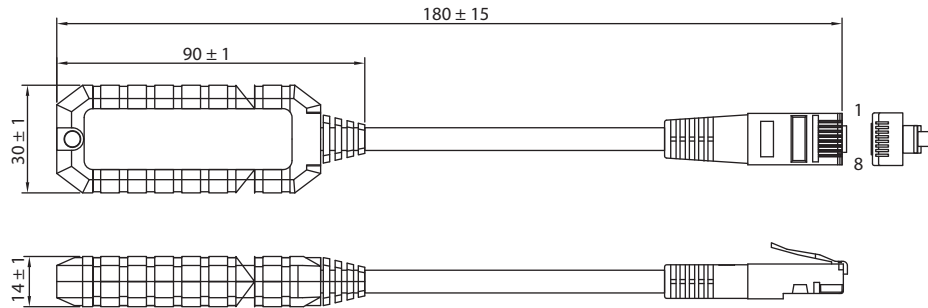
Please check Advantech's website to obtain the most updated N-Key support list

ICE-9NKY-RJA ICE-9NKY-M12A

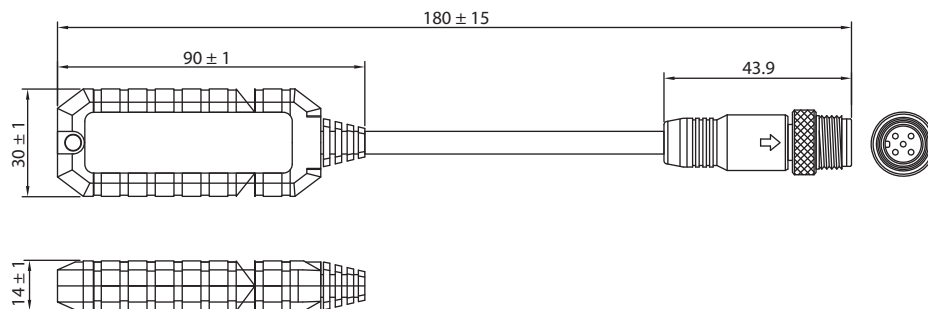
Dimensions

Unit: mm [inch]

ICE-9NKY-RJA



ICE-9NKY-M12A



Ordering Information

- -ICE-9NKY-RJA N-Key(RJ45 Type)Auto Restore Backup tool
- -ICE-9NKY-M12A N-Key(M12 Type)Auto Restore Backup tool